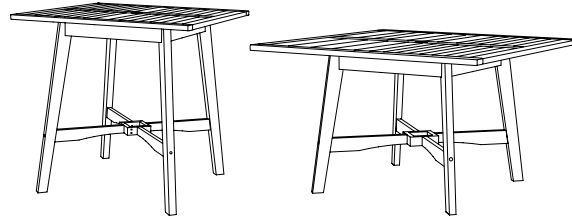


WEXFORD TABLES

ASSEMBLY INSTRUCTIONS

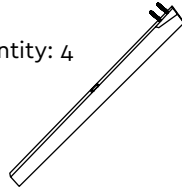


COMPONENTS

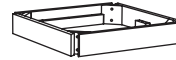
- ① Table Top
Quantity: 1



- ② Leg
Quantity: 4



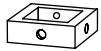
- ③ Skirt
Quantity: 4



- ④ Leg Stretcher
Quantity: 4



- ⑤ Square
Quantity: 1



HARDWARE

- A 6mm x 65mm Bolts
Quantity: 8



- B 6mm x 70 mm Bolts
Quantity: 4



- C Long Bolts
Quantity: 4



- D Guiding Bolt
Quantity: 1



- E Barrel Nut
Quantity: 8



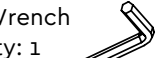
- F Flat Washer
Quantity: 8



- G Allen Wrench
Quantity: 8



- H Allen Wrench
Quantity: 1



- I Hex Head Wrench
Quantity: 1

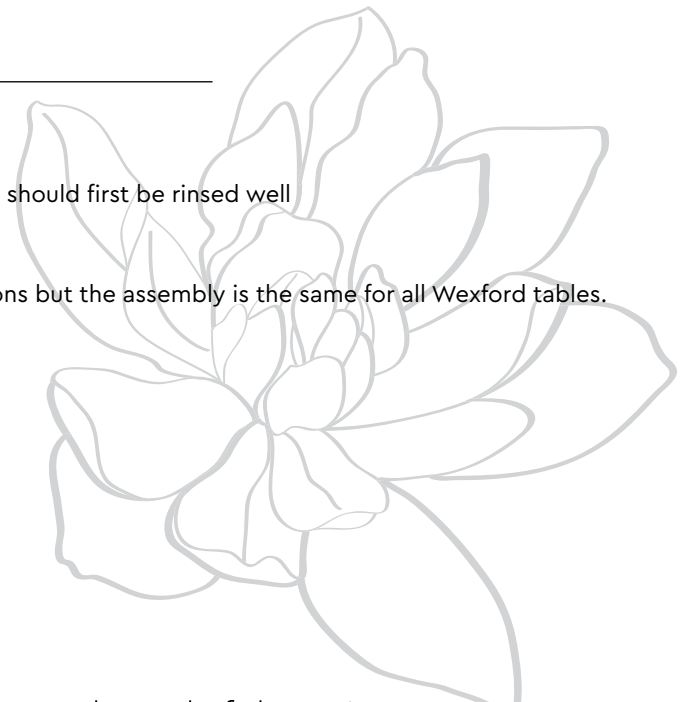


FINISHING ITEMS

Medium Grit Sandpaper

NOTE: If the furniture is going to be placed on a concrete or tile patio, it should first be rinsed well to remove the sawdust that may cause some staining.

NOTE: Table top size and surface and leg height may vary from illustrations but the assembly is the same for all Wexford tables.

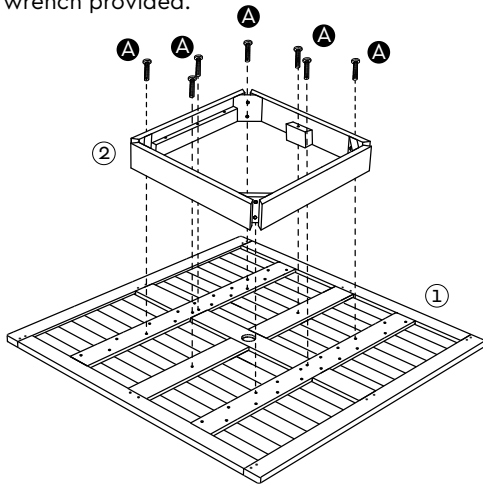


Thoughtful Design **MADE RIGHT**

INSTRUCTIONS

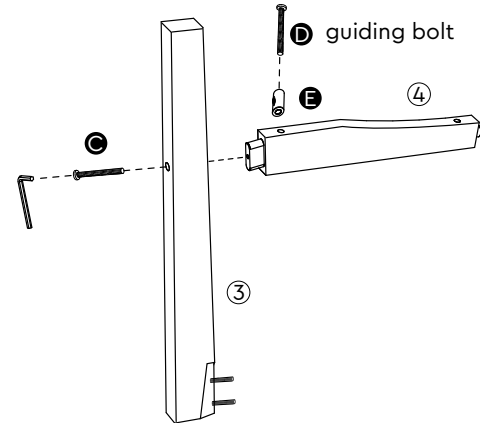
STEP 1

First lay table top ① on a clean & protected surface. Next, lay skirt ② onto table top lining up the pre-drilled holes. Secure skirt by using the 65 mm bolts ④ with the allen wrench provided.



STEP 2

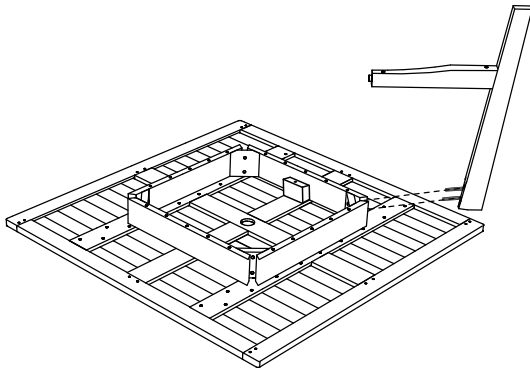
Assemble ALL four legs ③ by inserting the tenon of the leg stretcher ④ into the mortise of the leg. Secure leg using the LONG bolt ⑤ and barrel nut ⑥ shown.



STEP 3

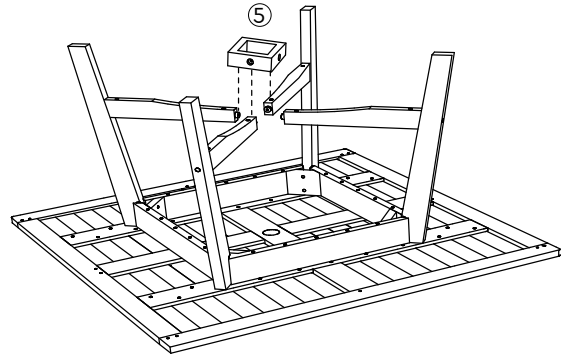
Insert the threaded rods on one leg into holes located on one corner of table top. Repeat for ALL four legs.

DO NOT SECURE Leg assembly in this step.



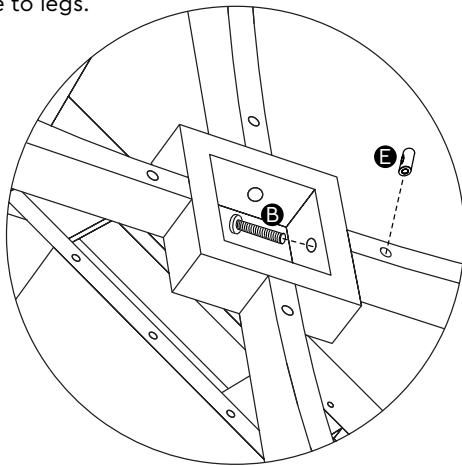
STEP 4

Insert square ⑤ into the assembled legs as shown. Carefully separate the four legs to allow the square to be inserted into place.



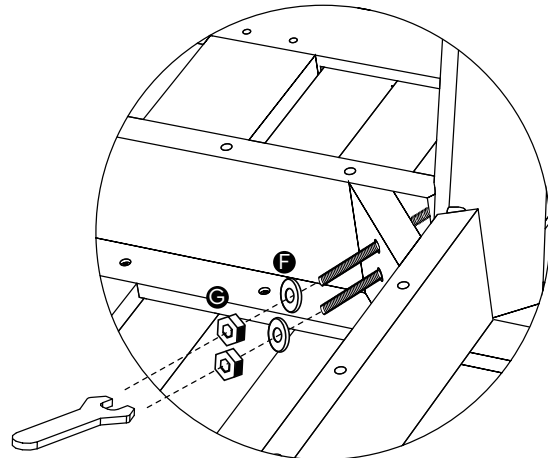
STEP 5

Using the short 70 mm bolt ⑦ and barrel nut ⑧, secure square to legs.



STEP 6

Secure legs to the table top using metal washer ⑨ and Hex Nut ⑩ using the Hex Head wrench provided.



How to align barrel nuts and bolts.

Insert a guiding bolt into the end of a barrel nut. Align the barrel nut inside of the component with the bolt used to connect the components. Once the component bolt is aligned and threaded, simply pull the guiding bolt from the end of the barrel nut.

