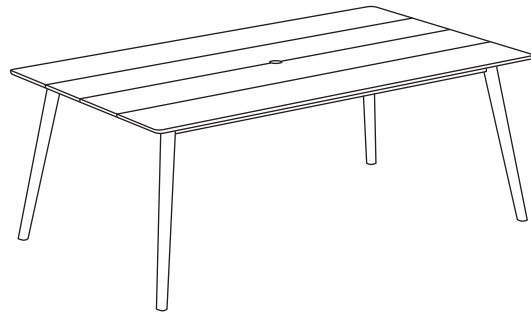
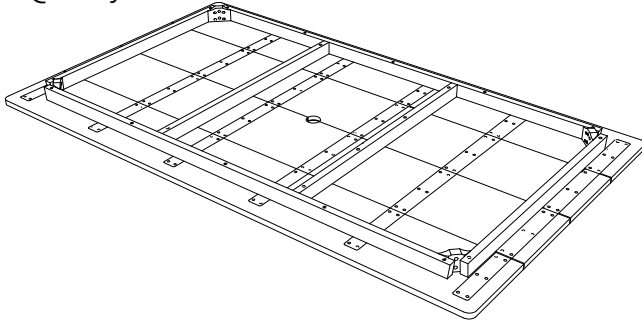


TULLE 78" RECTANGULAR DINING TABLE
ASSEMBLY INSTRUCTIONS

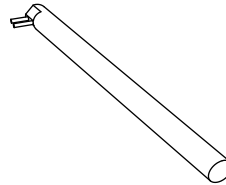


COMPONENTS

- ① Table Top Assembly
Quantity: 1



- ② Corner Posts
Quantity: 4



- ③ Parasol Hole Cap
Quantity: 1



HARDWARE

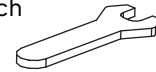
- Ⓐ Washers
Quantity: 8



- Ⓑ Hex Nuts
Quantity: 8



- Ⓒ Hex Head Wrench
Quantity: 1

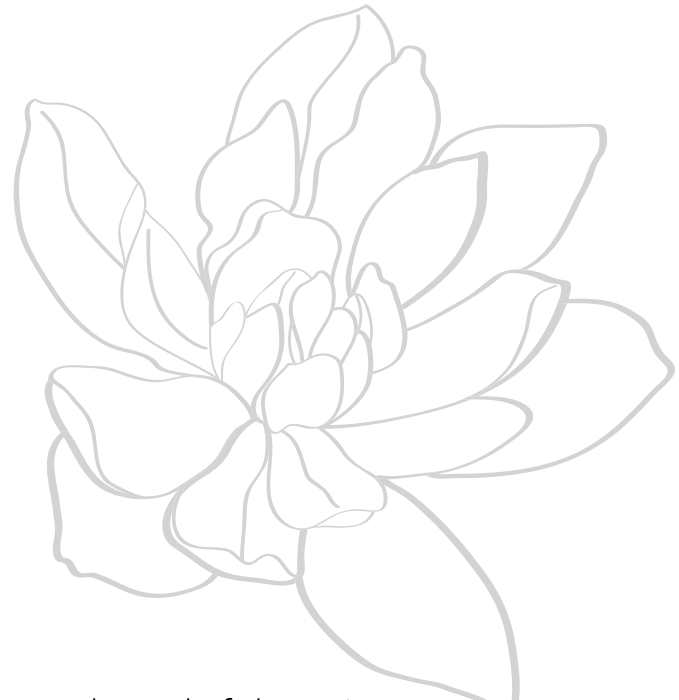


NOTE: Hardware pack may contain more hardware than what is needed to assemble.

FINISHING ITEMS

Medium Grit Sandpaper

NOTE: If the furniture is going to be placed on a concrete or tile patio, it should first be rinsed well to remove the sawdust that may cause some staining.

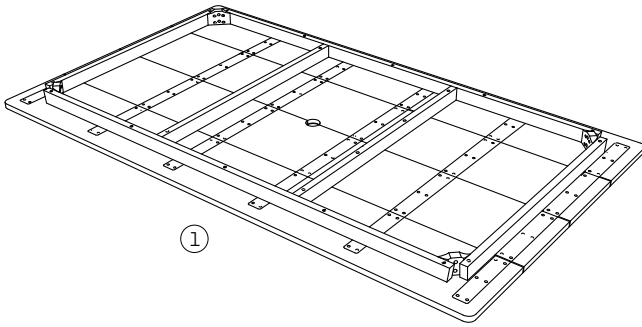


Thoughtful Design **MADE RIGHT**

INSTRUCTIONS

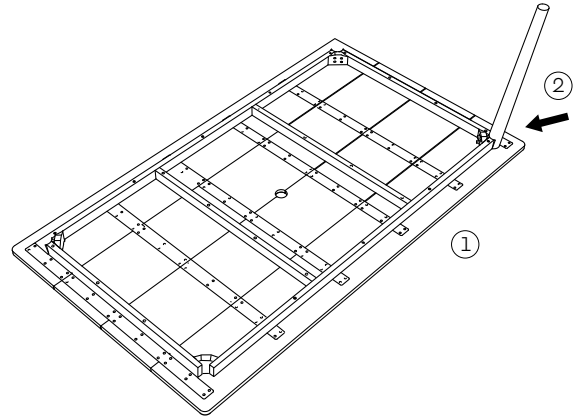
STEP 1

On a clean flat surface, lay table ① top upside down.



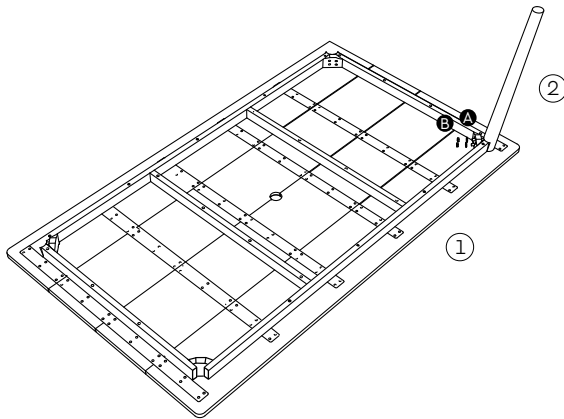
STEP 2

Insert the threaded rods on one corner post ② into holes located on one corner of table top.

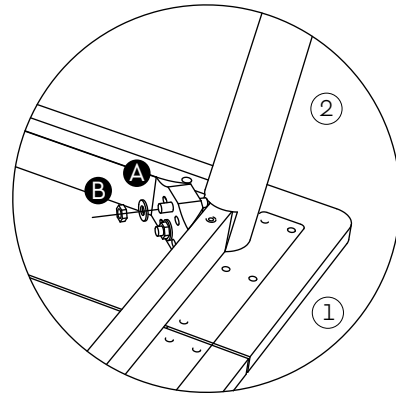


STEP 3

Secure corner post to the table top using a metal washer (A) and hex nut (B).

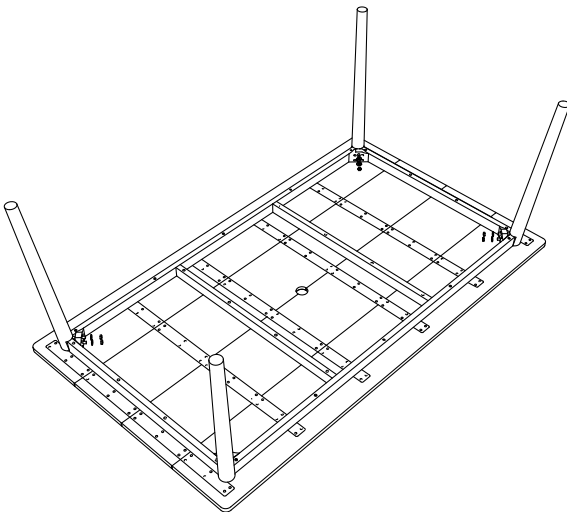


STEP 3 (Detail)



STEP 4

Repeat steps 2 and 3 for the remaining 3 corner posts.



STEP 5

Carefully turn the assembled dining table in an upright position. Using a medium grit sandpaper, quickly sand off any marks or stains. Sand to smooth off areas around the dowel pins. Enjoy!

