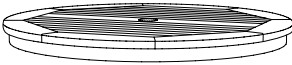


TRAVIRA CAFE' TABLES  
ASSEMBLY INSTRUCTIONS

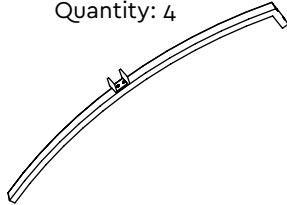


**COMPONENTS**

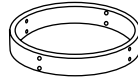
- ① Table Top Assembly  
Quantity: 1



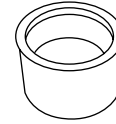
- ② Café Legs  
Quantity: 4



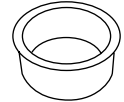
- ③ Base Ring  
Quantity: 1



- ④ Aluminum Umbrella Hole Protector Ring  
Quantity: 1



- ⑤ Aluminum Umbrella Hole Reducer - Optional  
Quantity: 1



**HARDWARE**

- A Short Allen Head Bolt  
Quantity: 9



- B Long Allen Head Bolt  
Quantity: 9



- C Lock Washer  
Quantity: 16



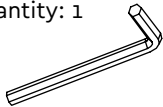
- D Flat Washer  
Quantity: 16



- E Bolt Cap  
Quantity: 16



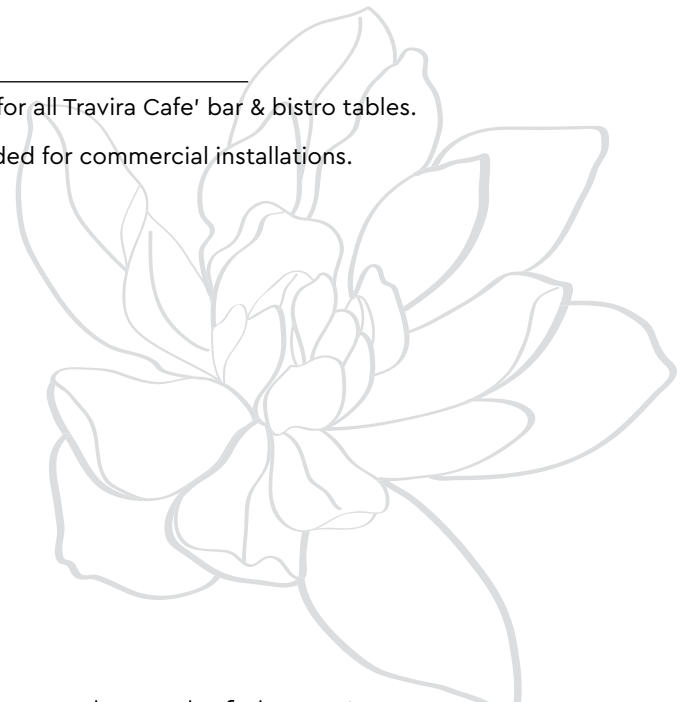
- F Allen Wrench  
Quantity: 1



**NOTES**

Table top, or base may vary from illustrations but the assembly is the same for all Travira Cafe' bar & bistro tables.

For long & medium bolts, 170 inch pounds for the bolt torque is recommended for commercial installations.

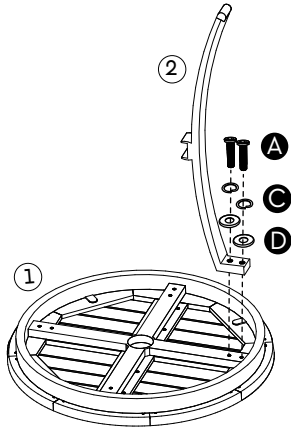


Thoughtful Design **MADE RIGHT**

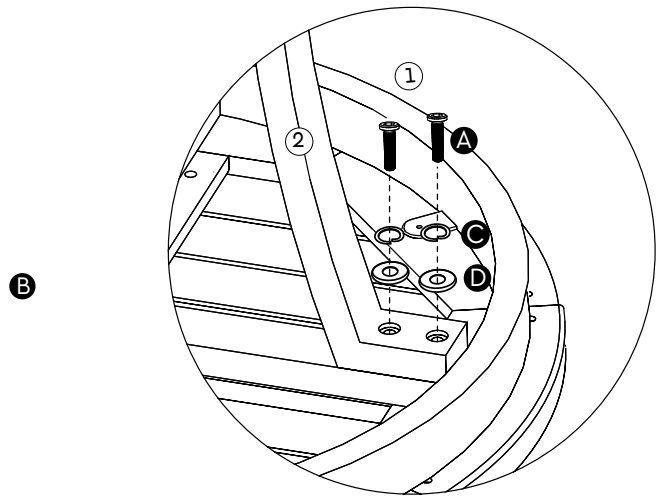
# INSTRUCTIONS

## STEP 1

Lay table top ① upside down on clean smooth surface. Using the allen wrench provided, loosely attach THREE legs ② to table top using the SHORT bolts A, lock washers C and flat washers D provided as shown.



## STEP 1 (detail)

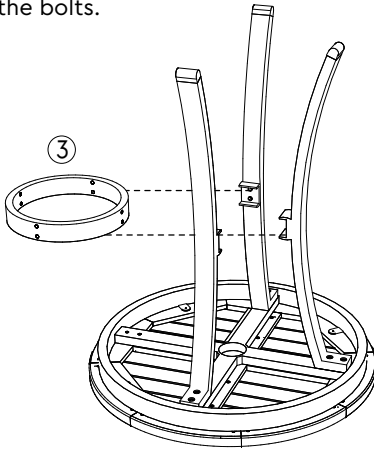


## STEP 2

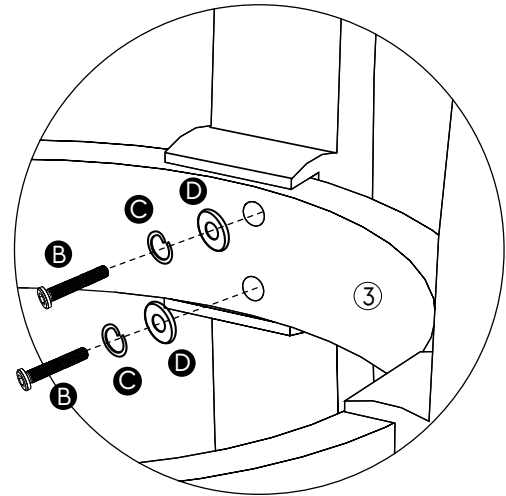
Carefully insert base ring ③ and loosely attach to three legs using the bolts, lock washers and washers provided.

NOTE: Do not tighten bolts yet.

Repeat Step 1 and attach fourth leg to table top. Next, repeat Step 2 to attach fourth leg to ring and then go back and tighten all the bolts.

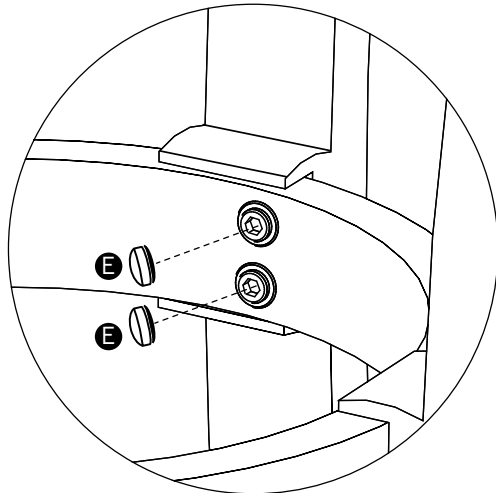


## STEP 2 (detail)



## STEP 3

Lastly, snap bolt caps E over all bolts, turn right side up and enjoy!



## STEP 4

Insert Aluminum Umbrella Hole Protector Ring ④ as shown. Optional - If you have a smaller umbrella pole - use the provided Aluminum Umbrella Hole Reducer ⑤ to secure umbrella.

