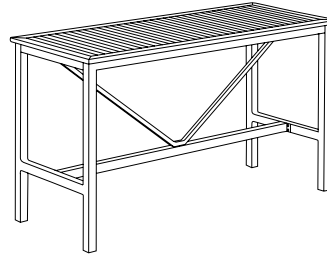
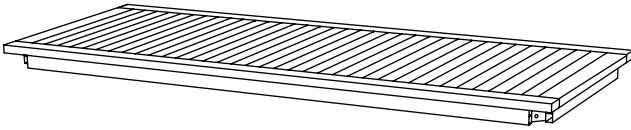


TRAVIRA 72" RECTANGULAR BAR TABLE  
ASSEMBLY INSTRUCTIONS

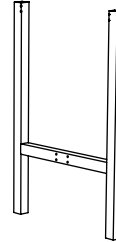


**COMPONENTS**

- ① Tabletop Assembly  
Quantity: 1



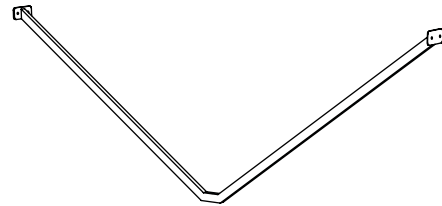
- ② Leg Assembly  
Quantity: 2



- ③ Stretcher  
Quantity: 1



- ④ V-Brace  
Quantity: 1

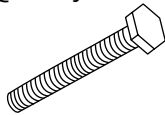


**HARDWARE**

- A Large Washer  
Quantity: 8



- B 30mm Bolt  
Quantity: 8



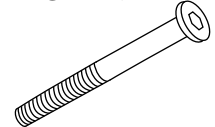
- C Small Washer  
Quantity: 12



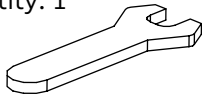
- D 21mm Bolt  
Quantity: 12



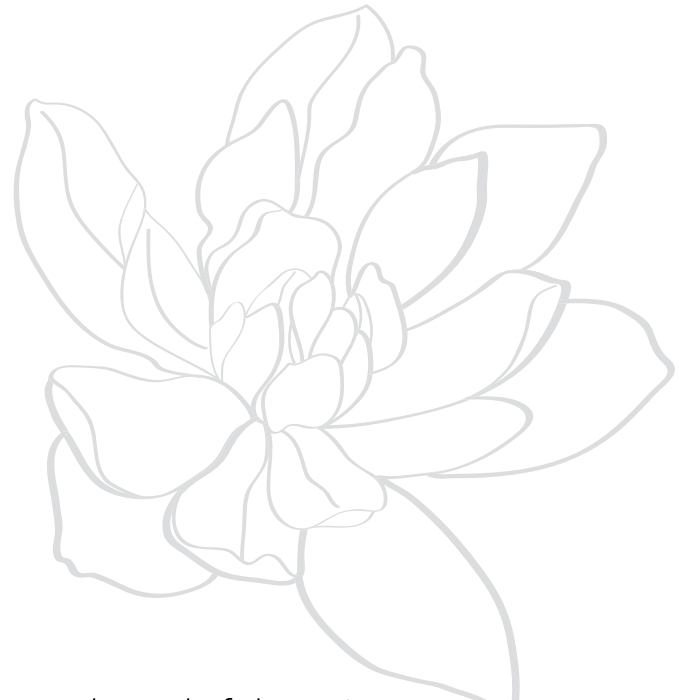
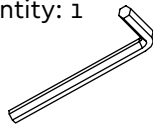
- E 64mm Bolt  
Quantity: 2



- F Hex Wrench  
Quantity: 1



- G Allen Wrench  
Quantity: 1

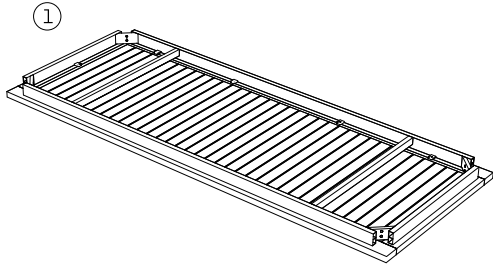


Thoughtful Design **MADE RIGHT**

# INSTRUCTIONS

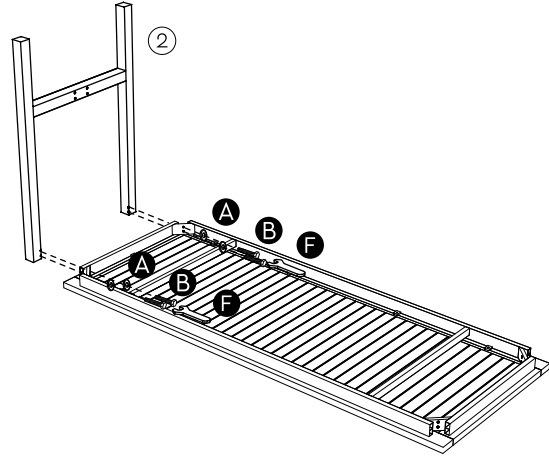
## STEP 1

On a clean, flat surface, lay tabletop ① upside down

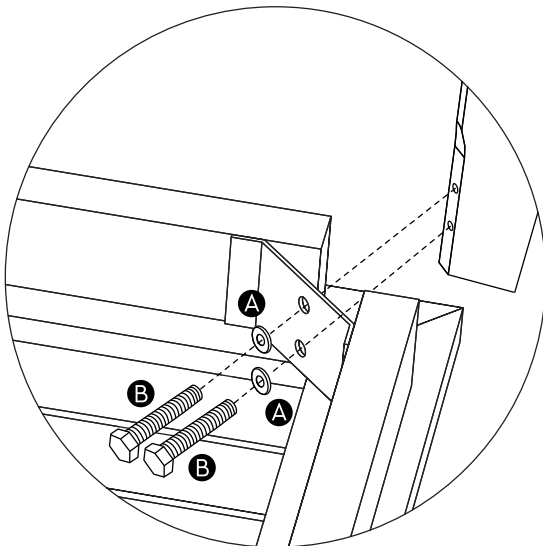


## STEP 2

Using the provided hex wrench **F** secure leg assemblies ② to the tabletop using the large washers **A** and the 30mm bolts **B**. Repeat step 2 for remaining leg assembly.

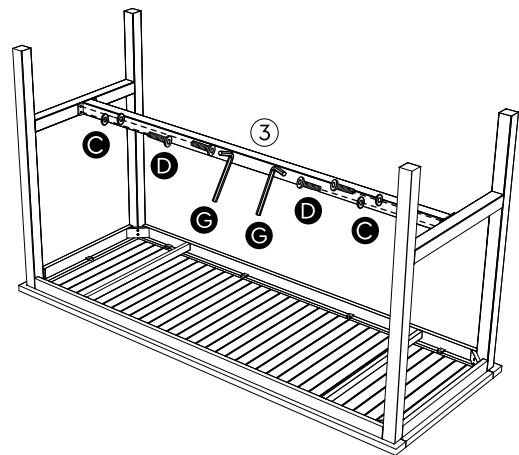


## STEP 2 (detail)

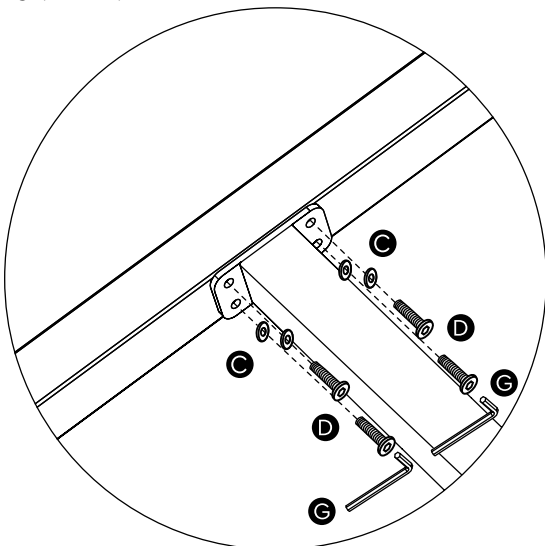


## STEP 3

Using the provided Allen wrench **G** secure stretcher ③ to leg assemblies using the small washers **C** and the 21mm bolts **D**.



## STEP 3 (detail)



## STEP 4

Using the provided Allen wrench **G** secure the V-Brace ④ using the small washers **C** and the 21mm bolts **D** as shown. Lastly, use the 64mm bolts **E** to secure V-Brace to stretcher as shown.

