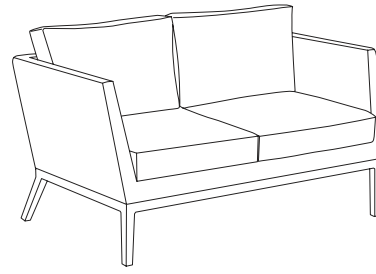


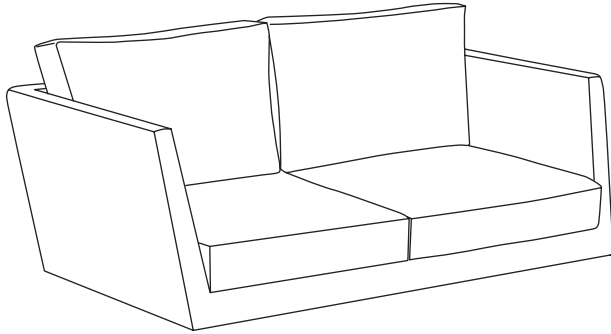
SALINO LOVESEAT

ASSEMBLY INSTRUCTIONS

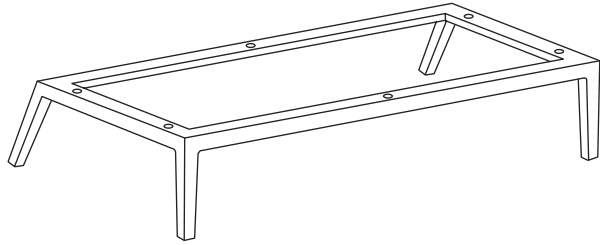


COMPONENTS

- ① Loveseat Seat Assembly
Quantity: 1



- ② Loveseat Leg Assembly
Quantity: 1



HARDWARE

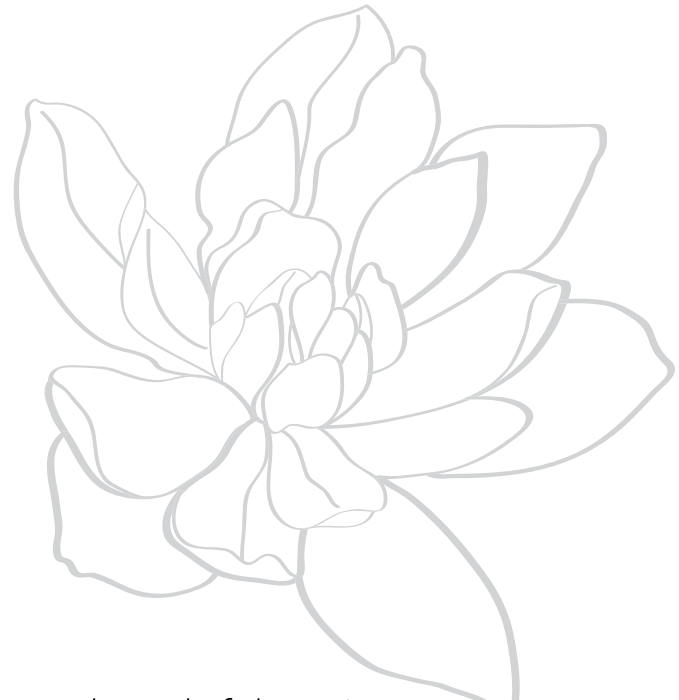
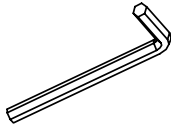
- A Bolts
Quantity: 6



- B Washers
Quantity: 6



- C Allen Wrench
Quantity: 1

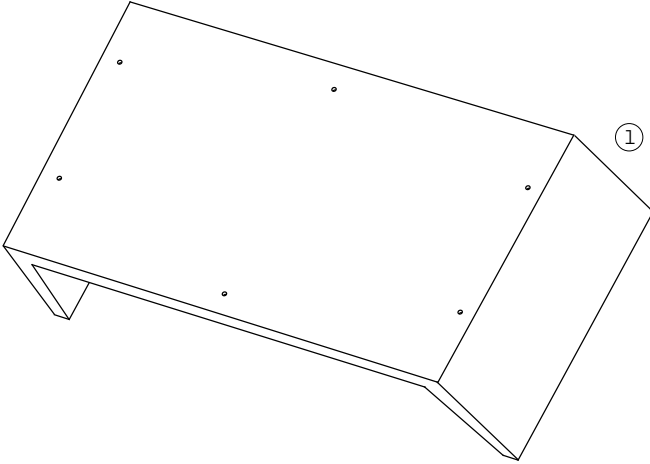


Thoughtful Design **MADE RIGHT**

INSTRUCTIONS

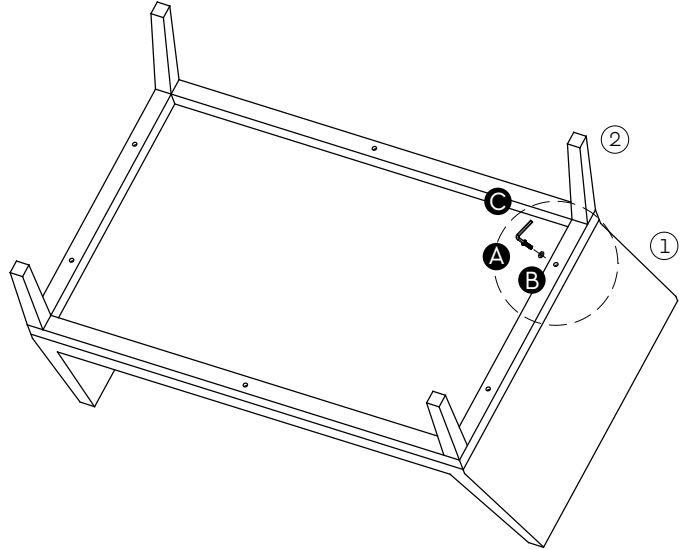
STEP 1:

Remove cushions from loveseat and place Seat Assembly ① upside down on top of provided cardboard box or blanket to protect the surface of the loveseat while assembling.

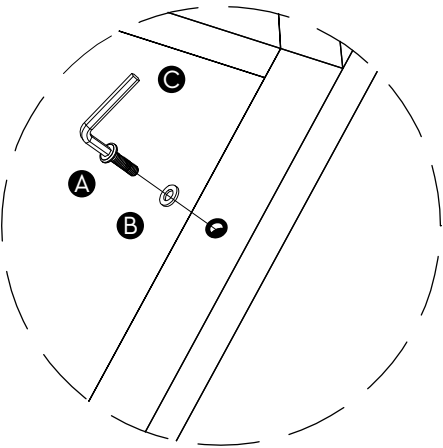


STEP 2:

Align Leg Assembly holes ② with Seat Assembly holes ①. Using the wrench provided, secure with washers B and bolts A. NOTE: Leave bolts slightly loose to help with alignment of the loveseat seat assembly.



STEP 2 (detail):



STEP 3:

Carefully turn assembled loveseat in an upright position.

