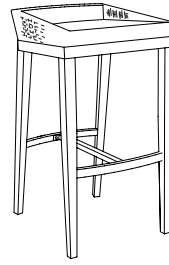


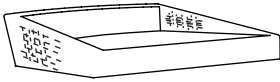
SALINO BAR STOOL

ASSEMBLY INSTRUCTIONS

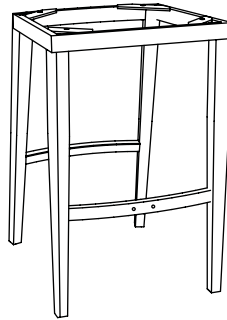


COMPONENTS

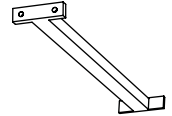
- ① Salino Bar Stool - Seat Assembly
Quantity: 1



- ② Salino Bar Stool - Leg Assembly
Quantity: 1



- ③ Salino Bar Stool - Stretcher
Quantity: 1

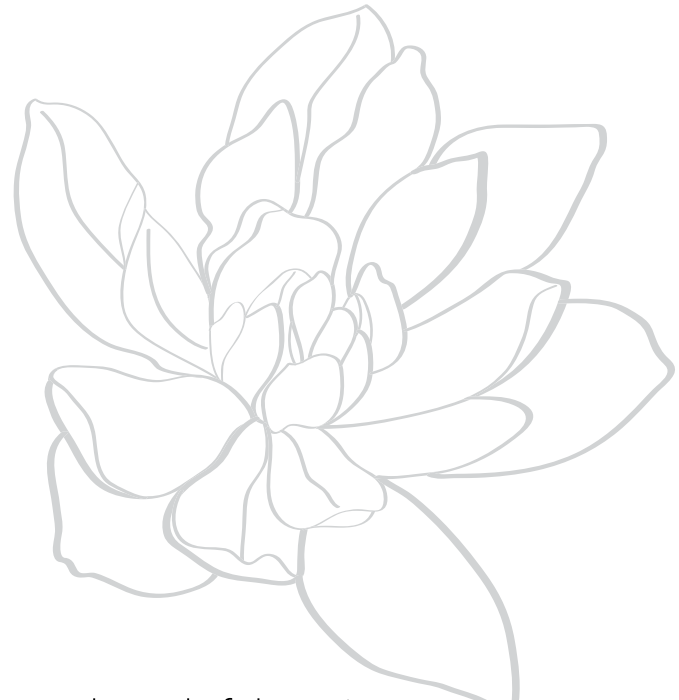
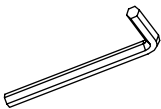


HARDWARE

- A Short Bolt
Quantity: 8



- B Allen Wrench
Quantity: 1

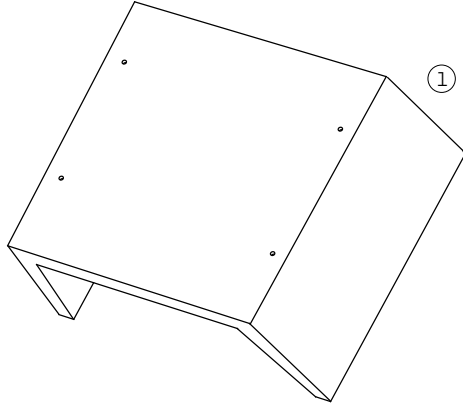


Thoughtful Design **MADE RIGHT**

INSTRUCTIONS

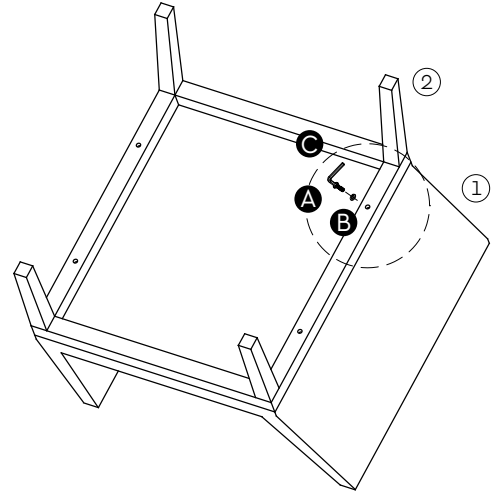
STEP 1:

Remove cushions from chair and place Seat Assembly ① upside down on top of provided cardboard box or blanket to protect the surface of the chair while assembling.

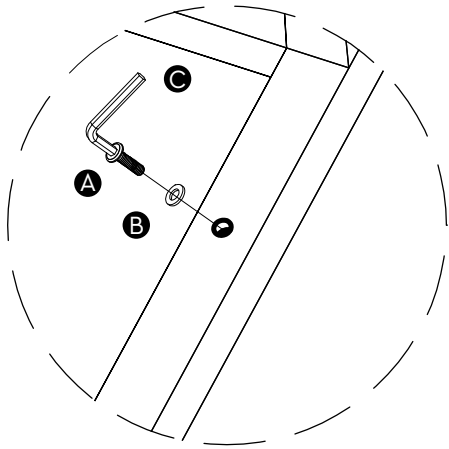


STEP 2:

Align Leg Assembly holes ② with Seat Assembly holes ①. Using the wrench provided, secure with washers B and bolts A. NOTE: Leave bolts slightly loose to help with alignment of the chair seat assembly.



STEP 2 (detail):



STEP 3:

Carefully turn assembled chair in an upright position.

