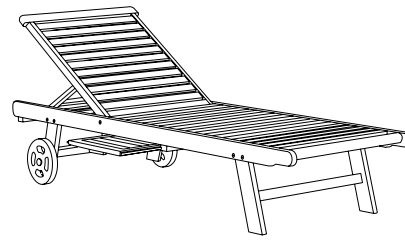


OXFORD CHAISE LOUNGE
ASSEMBLY INSTRUCTIONS

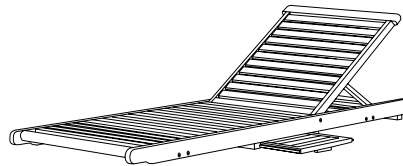


COMPONENTS

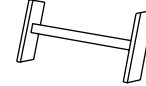
- ① Leg Assembly (Head)
Quantity: 1



- ② Chaise Lounge Frame
Quantity: 1



- ③ Leg Assembly (Foot)
Quantity: 1

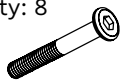


- ④ Wheels
Quantity: 1



HARDWARE

- A Bolts
Quantity: 8



- B Cap Nuts
Quantity: 8



- C Axle Bolts
Quantity: 2



- D Large Washers
Quantity: 2



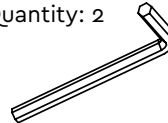
- E Small Washers
Quantity: 2



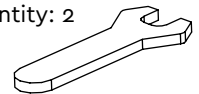
- F Hex Nuts
Quantity: 2



- G Allen Wrench
Quantity: 2



- H Hex Head Wrench
Quantity: 2

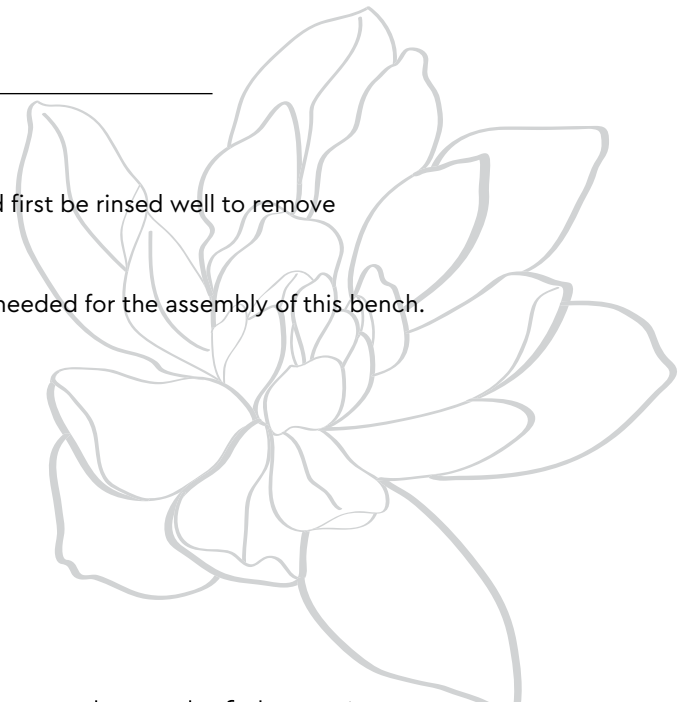


FINISHING ITEMS

Medium Grit Sandpaper

If the furniture is going to be placed on a concrete or tile patio, it should first be rinsed well to remove the sawdust that may cause some staining.

NOTE: A hammer and a phillips head screwdriver (not provided) will be needed for the assembly of this bench.

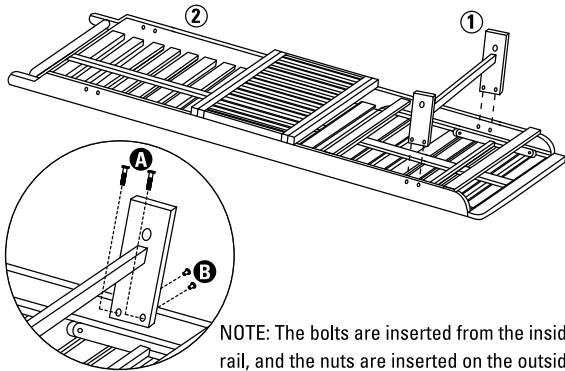


Thoughtful Design **MADE RIGHT**

INSTRUCTIONS

STEP 1

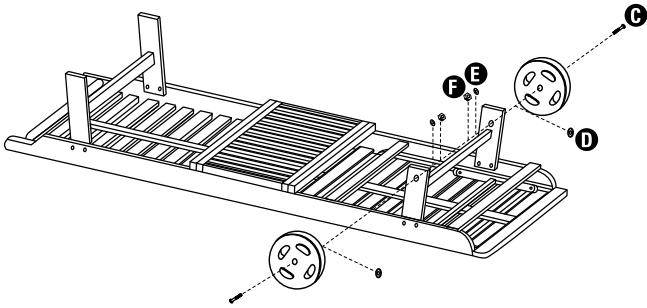
On a clean flat surface, lay seat assembly ④ flat on the ground. Using 4 bolts, ① attach the back assembly ③ to the seat.



NOTE: The bolts are inserted from the inside of side rail, and the nuts are inserted on the outside of side rail.

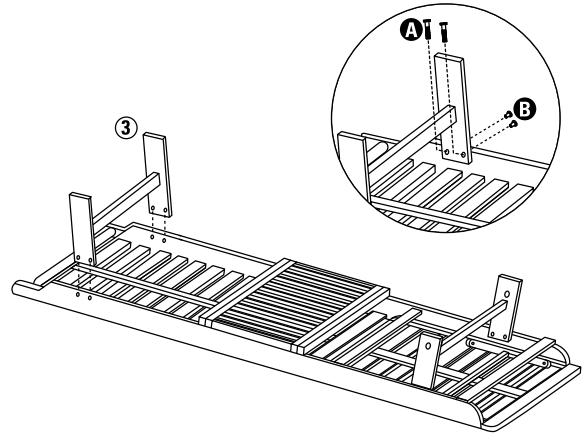
STEP 3

Using two bolts, attach one arm ② to the leg and to the brace on the back assembly. (Arched cutout of the arms face inward.)

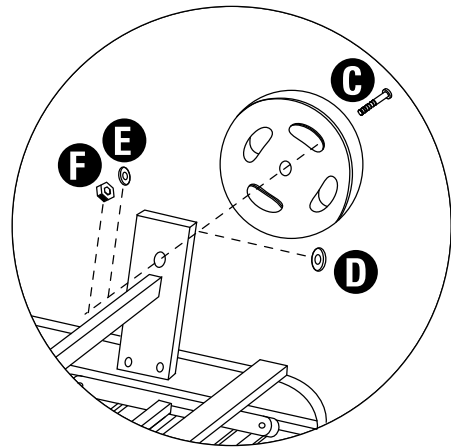


STEP 2

Carefully lay the chair on its side. Using three bolts, attach one leg ⑥ to the seat assembly. (Leg will be positioned with the arm brace facing upward and to the front of the seat assembly.) NOTE: Leave bolts slightly loose to help with alignment of the sofa seat assembly.



STEP 3 (detail)



STEP 4

Turn chaise to its upright position.

