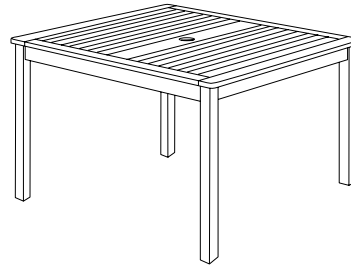
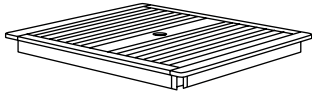


42" SQUARE DINING TABLE - CD42TAK  
ASSEMBLY INSTRUCTIONS

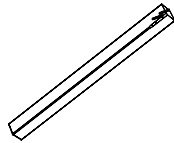


**COMPONENTS**

- ① Table Top Assembly  
Quantity: 1



- ② Corner Posts  
Quantity: 4



- ③ Parasol Hole Cap  
Quantity: 1



**HARDWARE**

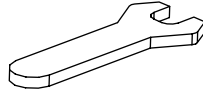
- A Washers  
Quantity: 9



- B Hex Nuts  
Quantity: 9



- C Hex Head Wrench  
Quantity: 1

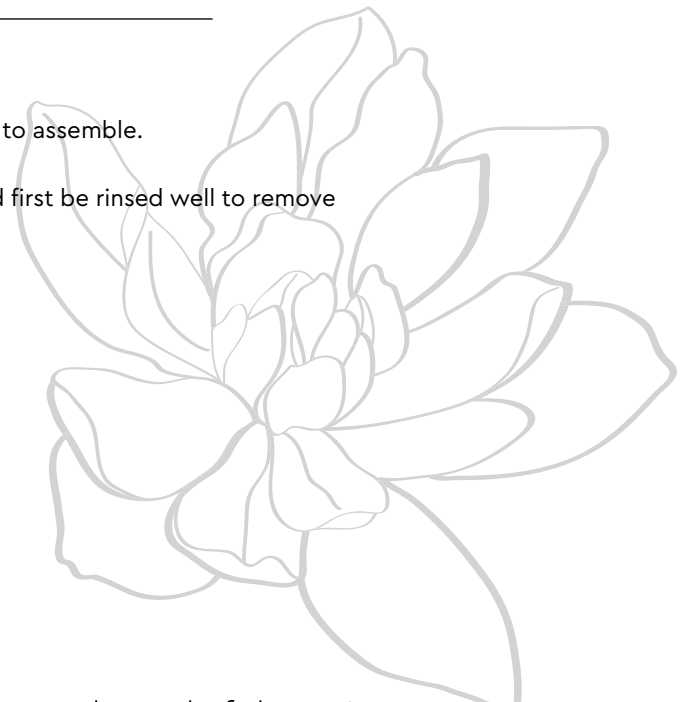


**FINISHING ITEMS**

Medium Grit Sandpaper

NOTE: Hardware pack may contain more hardware than what is needed to assemble.

If the furniture is going to be placed on a concrete or tile patio, it should first be rinsed well to remove the sawdust that may cause some staining.

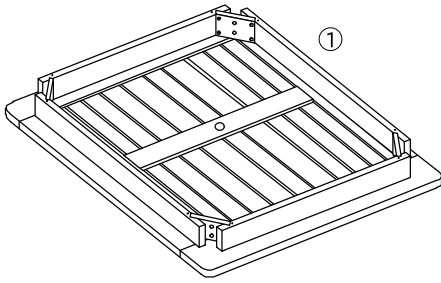


Thoughtful Design **MADE RIGHT**

## INSTRUCTIONS

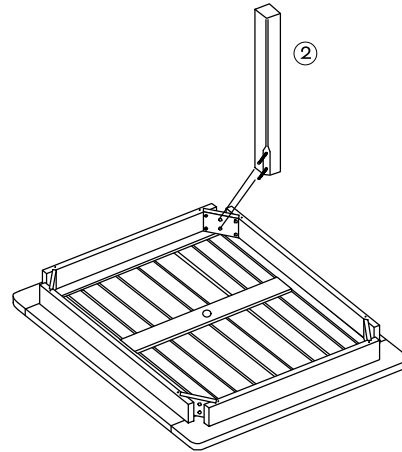
### STEP 1

On a clean flat surface, lay table ① top upside down.



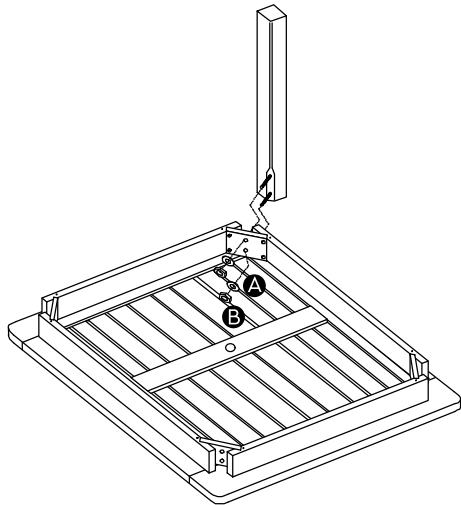
### STEP 2

Insert the threaded rods on one corner post ② into holes located on one corner of table top.

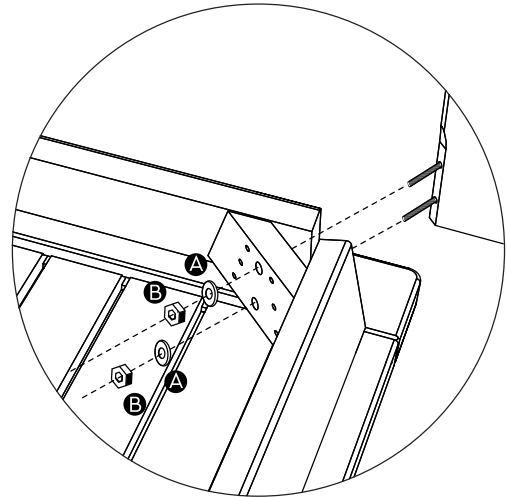


### STEP 3

Secure corner post to the table top using a metal washer (A) and hex nut (B).

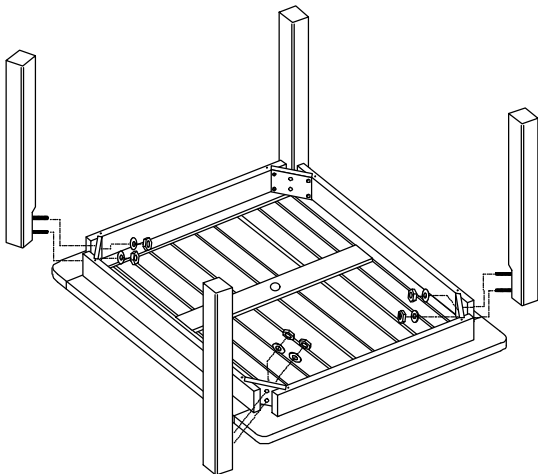


### STEP 3 (detail)



### STEP 4

Repeat steps 2 and 3 for the remaining 3 corner posts.



### STEP 5

Carefully turn the assembled dining table in an upright position. Using a medium grit sandpaper, quickly sand off any marks or stains. Sand to smooth off areas around the dowel pins. Enjoy!

