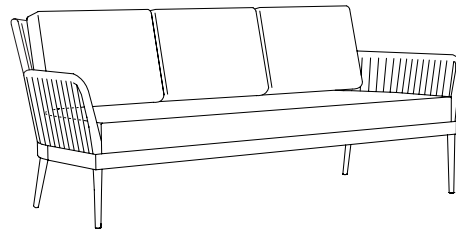


NETTE SOFA

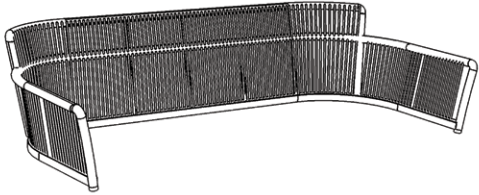
ASSEMBLY INSTRUCTIONS



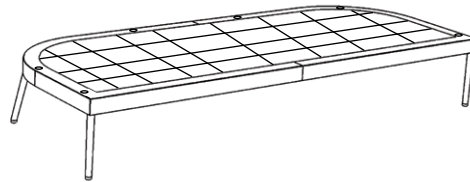
COMPONENTS

---

- ① Sofa Back & Arm Assembly  
Quantity: 1



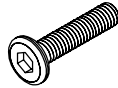
- ② Sofa Seat & Leg Assembly  
Quantity: 1



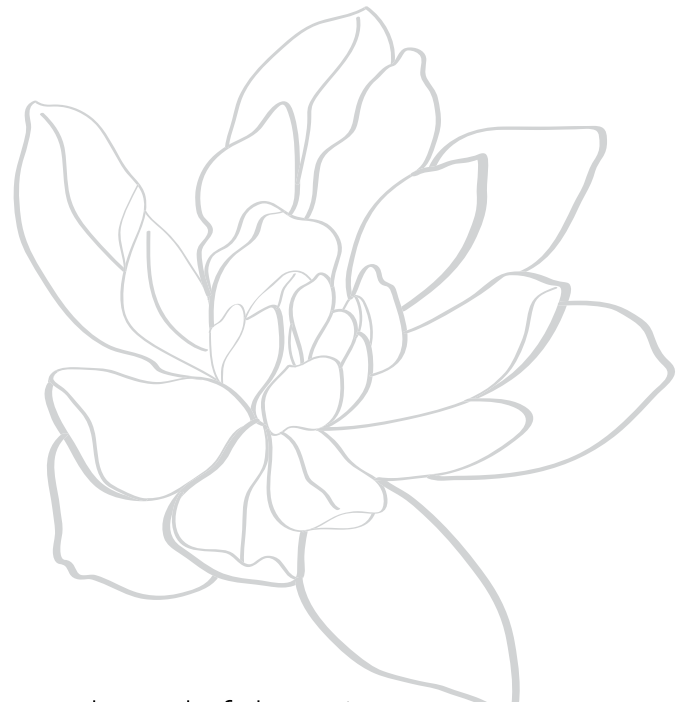
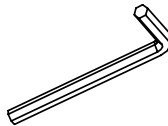
HARDWARE

---

- A Long Bolts  
Quantity: 6



- B Allen Wrench  
Quantity: 1



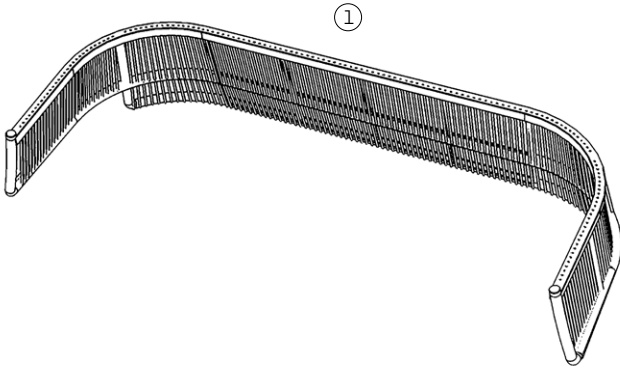
Thoughtful Design **MADE RIGHT**

## INSTRUCTIONS

---

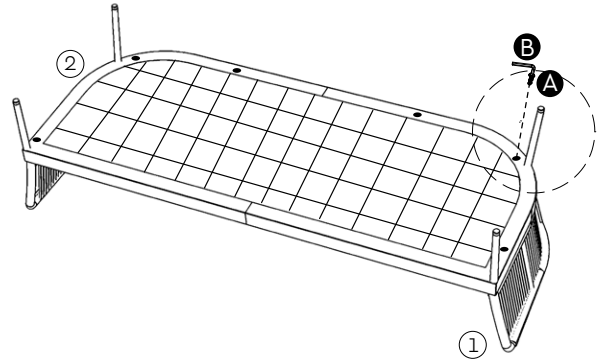
### STEP 1:

Remove cushions from Sofa and place Sofa Back & Arm Assembly ① upside down on top of provided cardboard box or blanket to protect the surface of the chair while assembling.

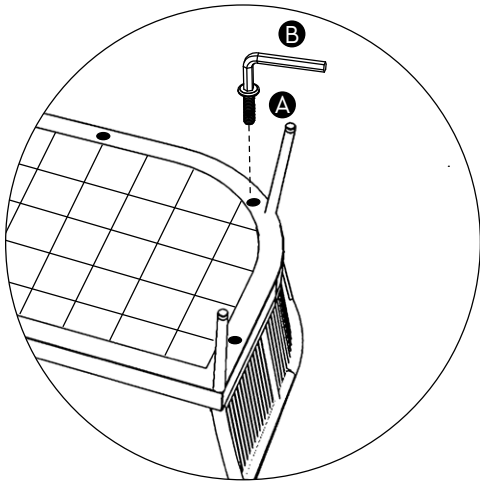


### STEP 2:

Align Sofa Back & Arm Assembly ① with Sof Seat & Leg Assembly ②. Using the wrench B provided, secure with bolts A. NOTE: Leave bolts slightly loose to help with alignment of the chair seat assembly.



### STEP 2 (detail):



### STEP 3:

Carefully turn assembled Sofa in an upright position.

