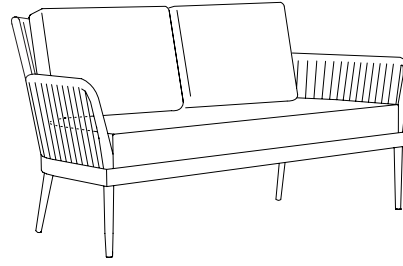


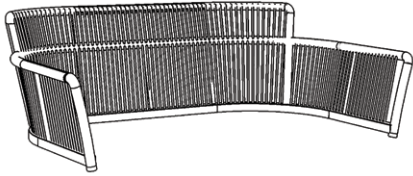
NETTE LOVESEAT

ASSEMBLY INSTRUCTIONS

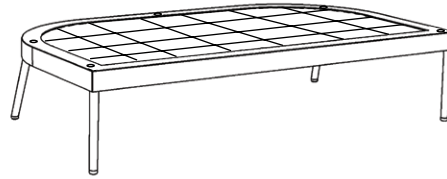


COMPONENTS

- ① Loveseat Back & Arm Assembly
Quantity: 1

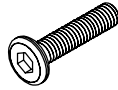


- ② Loveseat Seat & Leg Assembly
Quantity: 1

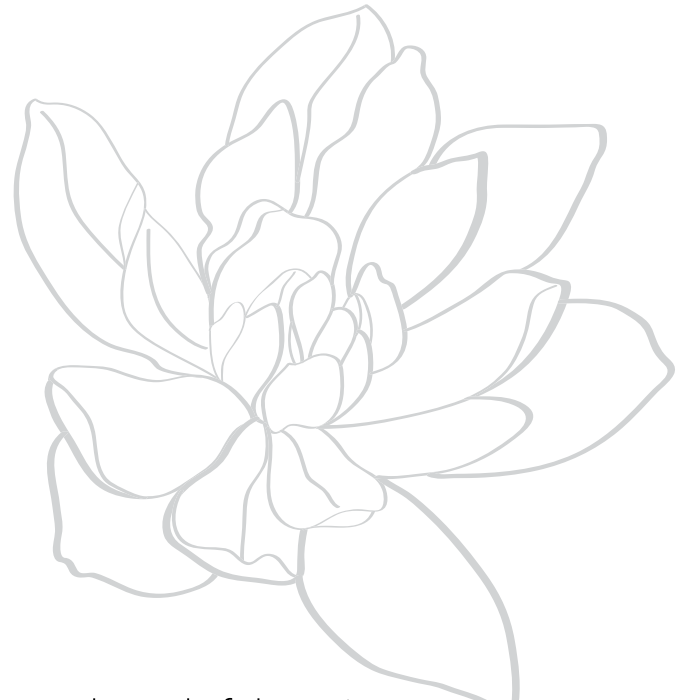
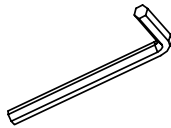


HARDWARE

- A Long Bolts
Quantity: 5



- B Allen Wrench
Quantity: 1

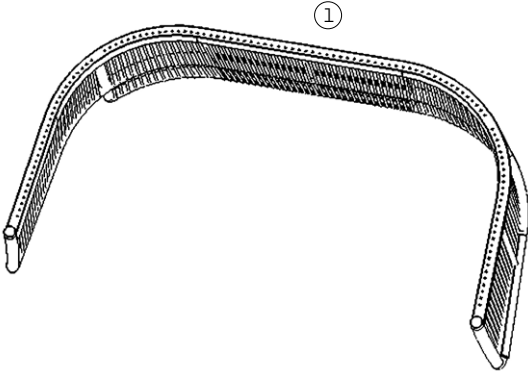


Thoughtful Design **MADE RIGHT**

INSTRUCTIONS

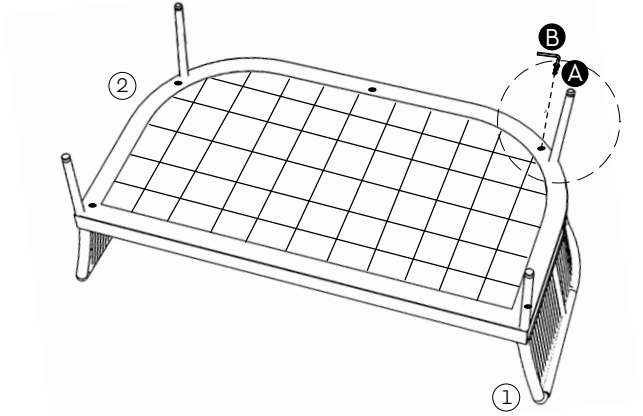
STEP 1:

Remove cushions from Loveseat and place Loveseat Back & Arm Assembly ① upside down on top of provided cardboard box or blanket to protect the surface of the chair while assembling.

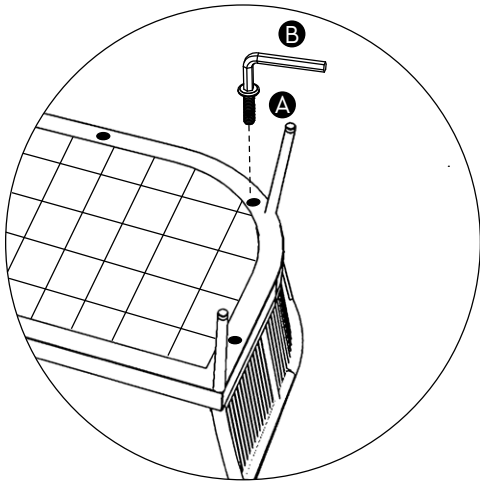


STEP 2:

Align Loveseat Back & Arm Assembly ① with Loveseat & Leg Assembly ②. Using the wrench B provided, secure with bolts A. NOTE: Leave bolts slightly loose to help with alignment of the chair seat assembly.



STEP 2 (detail):



STEP 3:

Carefully turn assembled loveseat in an upright position.

