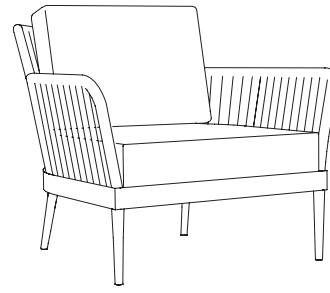


NETTE CLUB CHAIR

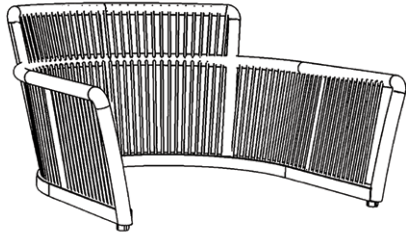
ASSEMBLY INSTRUCTIONS



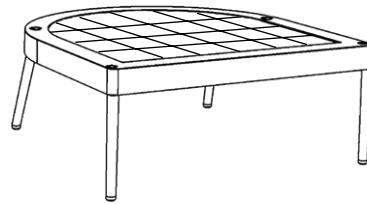
**COMPONENTS**

---

- ① Club Chair Back & Arm Assembly  
Quantity: 1



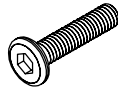
- ② Club Chair Seat & Leg Assembly  
Quantity: 1



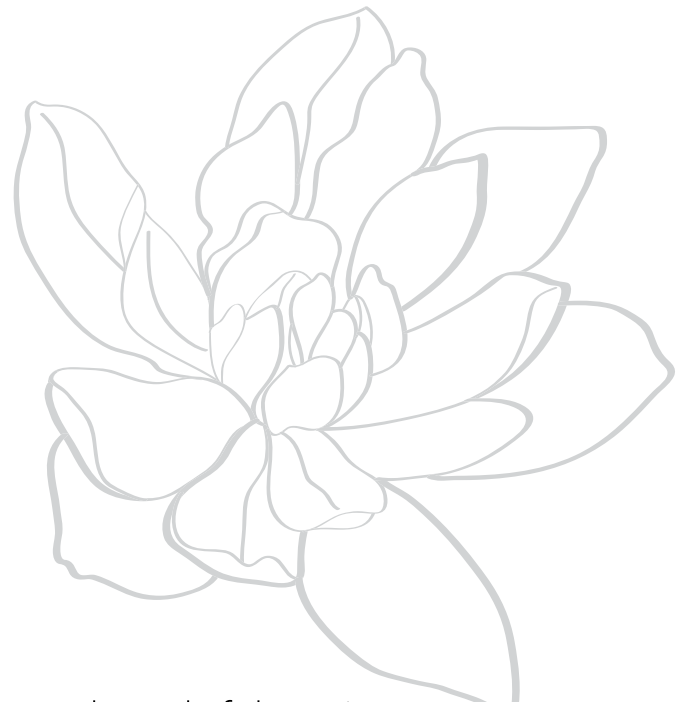
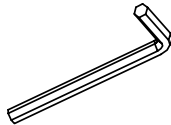
**HARDWARE**

---

- Ⓐ Long Bolts  
Quantity: 4



- Ⓑ Allen Wrench  
Quantity: 1



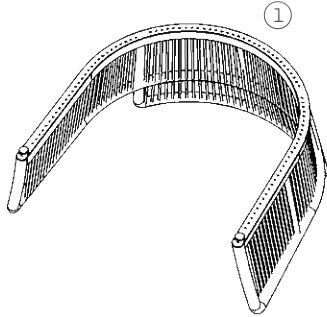
Thoughtful Design **MADE RIGHT**

## INSTRUCTIONS

---

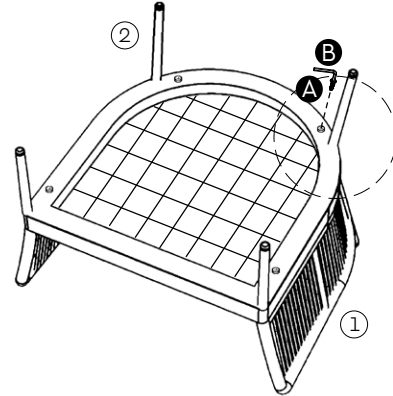
### STEP 1:

Remove cushions from chair and place Club Chair Back & Arm Assembly ① upside down on top of provided cardboard box or blanket to protect the surface of the chair while assembling.

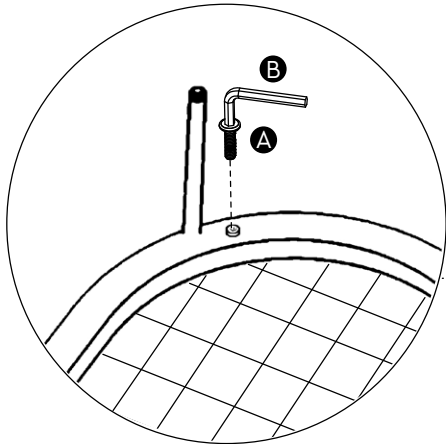


### STEP 2:

Align Club Chair Back & Arm Assembly ① with Club Chair Seat & Leg Assembly ②. Using the wrench ③ provided, secure with bolts ④. NOTE: Leave bolts slightly loose to help with alignment of the chair seat assembly.



### STEP 2 (detail):



### STEP 3:

Carefully turn assembled chair in an upright position.

