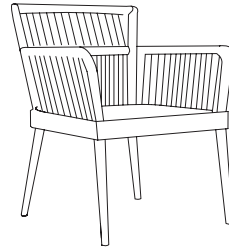


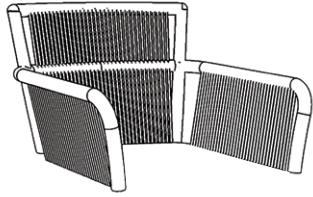
NETTE ARMCHAIR

ASSEMBLY INSTRUCTIONS

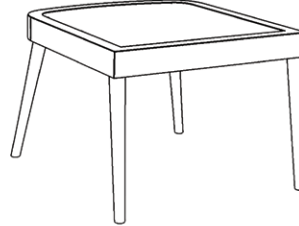


COMPONENTS

- ① Armchair Back & Arm Assembly
Quantity: 1

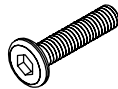


- ② Armchair Seat & Leg Assembly
Quantity: 1

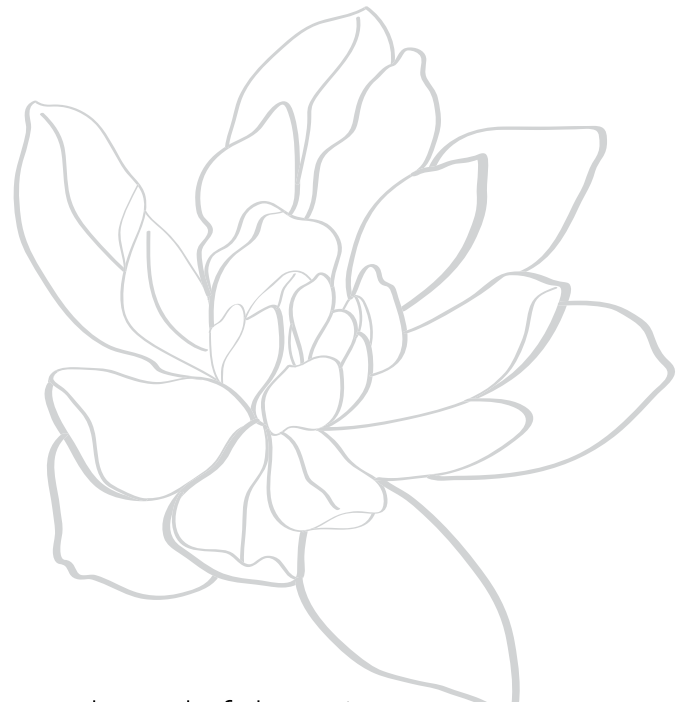
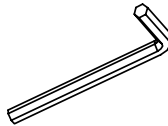


HARDWARE

- Ⓐ Long Bolts
Quantity: 3



- Ⓑ Allen Wrench
Quantity: 1

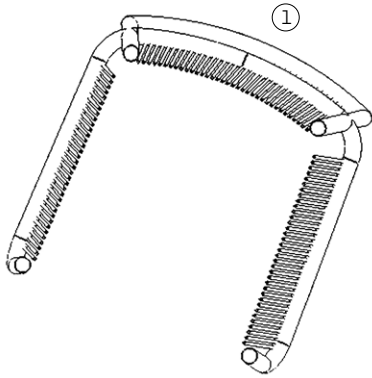


Thoughtful Design **MADE RIGHT**

INSTRUCTIONS

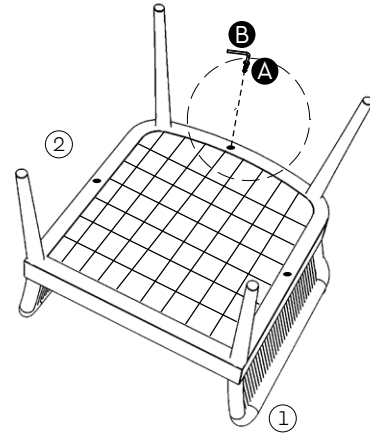
STEP 1:

Remove cushions from Armchair and place Armchair Back & Arm Assembly ① upside down on top of provided cardboard box or blanket to protect the surface of the chair while assembling.

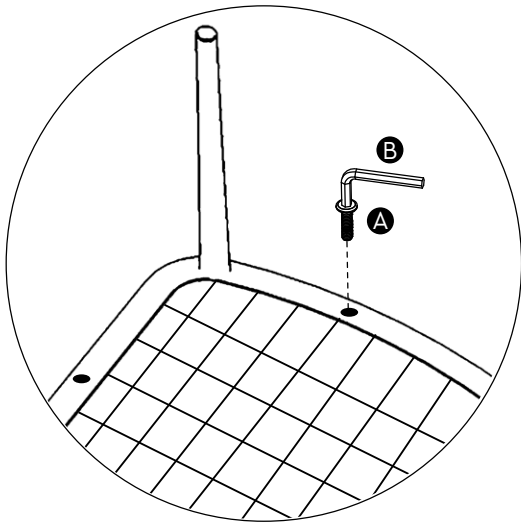


STEP 2:

Align Armchair Back & Arm Assembly ① with Armchair & Leg Assembly ②. Using the wrench **B** provided, secure with bolts **A**. NOTE: Leave bolts slightly loose to help with alignment of the chair seat assembly.



STEP 2 (detail):



STEP 3:

Carefully turn assembled Armchair in an upright position.

