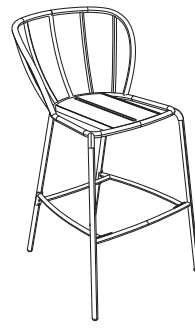


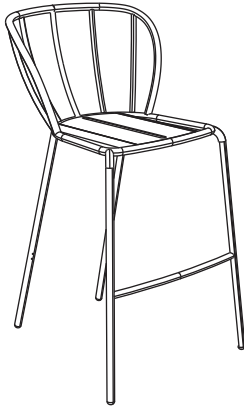
MULTI BAR CHAIR

ASSEMBLY INSTRUCTIONS

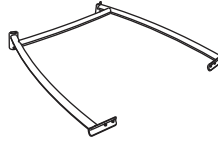


COMPONENTS

- ① Multi Bar Chair - Seat & Leg Assembly
Quantity: 1



- ② Multi Bar Chair - Stretcher
Quantity: 1

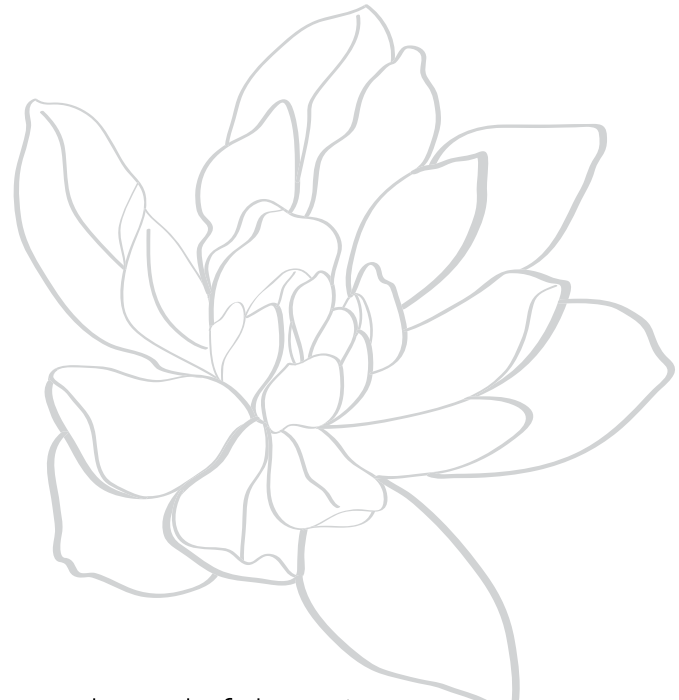
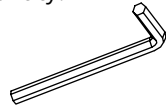


HARDWARE

- A Short Machine Bolt
Quantity: 8



- B Allen Wrench
Quantity: 1

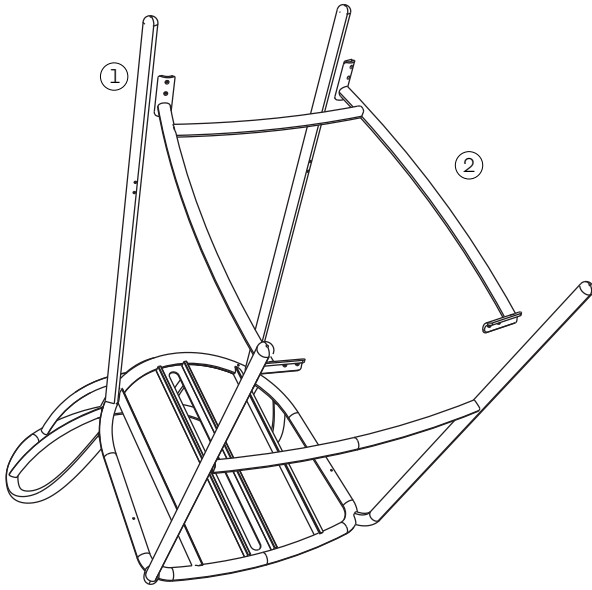


Thoughtful Design **MADE RIGHT**

INSTRUCTIONS

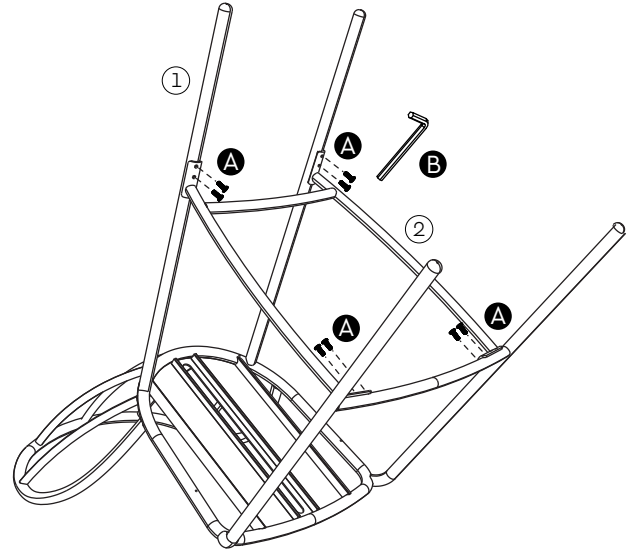
STEP 1

Insert the Stretcher ② as shown.

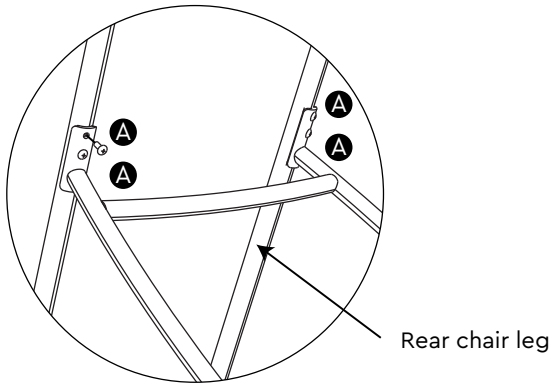


STEP 2

Secure Stretcher ② with Allen Wrench using the 8 bolts A.



STEP 2 DETAIL



STEP 3

Turn the chair upright and enjoy!

