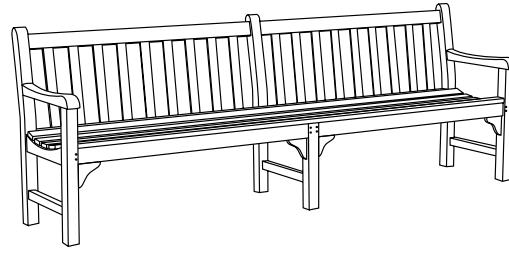


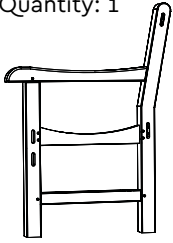
ESSEX BENCH - 8'

ASSEMBLY INSTRUCTIONS

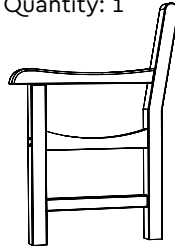


COMPONENTS

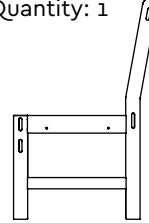
- ① Right Arm Assembly
Quantity: 1



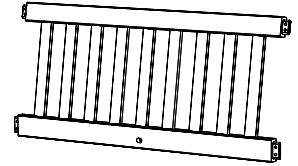
- ② Left Arm Assembly
Quantity: 1



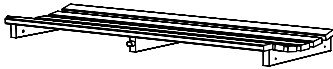
- ③ Center Brace Assembly
Quantity: 1



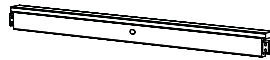
- ④ Back
Quantity: 1 (Right Shown)
Quantity: 1 (Left)



- ⑤ Seat
Quantity: 1 (Right Shown)
Quantity: 1 (Left)



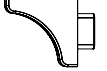
- ⑥ Front Rail
Quantity: 1 (Right Shown)
Quantity: 1 (Left)



- ⑦ Right Corner Brace
Quantity: 2

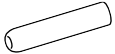


- ⑧ Left Corner Brace
Quantity: 2



HARDWARE

- A Dowels
Quantity: 36



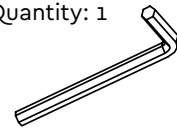
- B Phillip-Head Wood Screws
Quantity: 12



- C Allen Head Screw
Quantity: 4



- D Allen Wrench
Quantity: 1



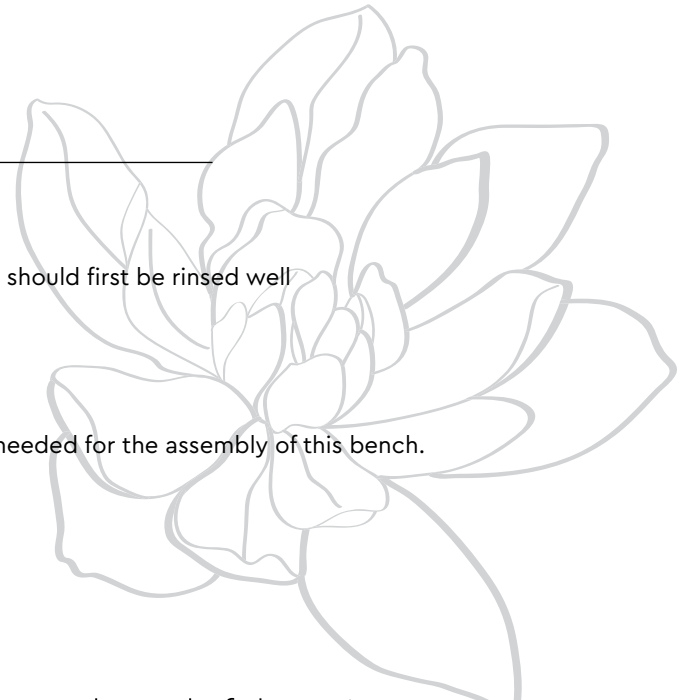
FINISHING ITEMS

Medium Grit Sandpaper

NOTE: If the furniture is going to be placed on a concrete or tile patio, it should first be rinsed well to remove the sawdust that may cause some staining.

NOTE: Hardware pack may contain extra hardware.

NOTE: A hammer and a phillips head screwdriver (not provided) will be needed for the assembly of this bench.



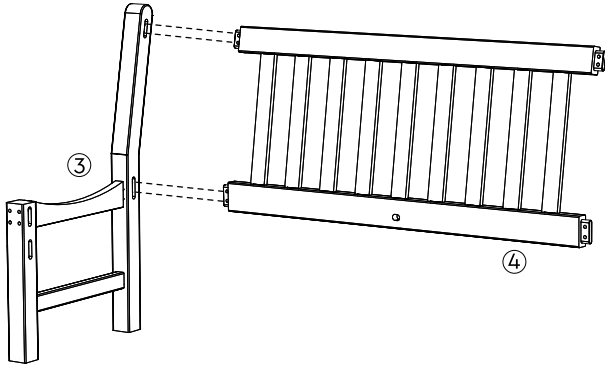
Thoughtful Design **MADE RIGHT**

INSTRUCTIONS

STEP 1

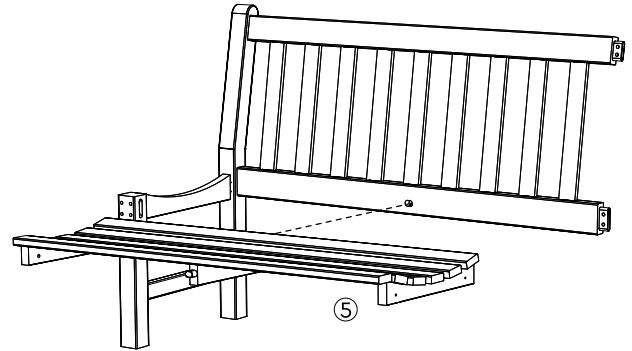
Two person assembly recommended.

NOTE: Do not drive the dowels into place until all components are fitted together. Stand center brace ③ upright. Insert the left back assembly ④ into the holes of the center brace.



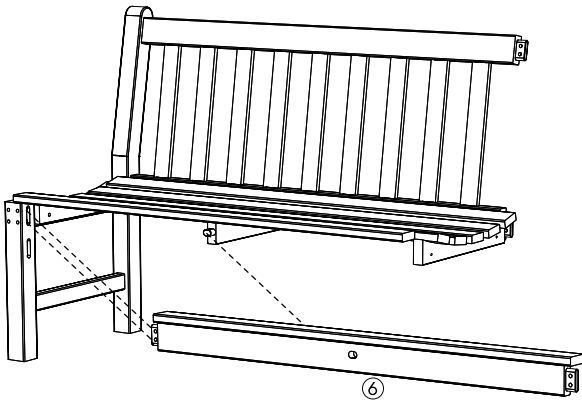
STEP 2

Align the peg in the back of the seat support rail of the (left) seat assembly ⑤ with the hole in the back assembly. Note: Each slat of the seat assembly overhangs the connecting braces at each end. The slats have a greater overhang at one end. The end with the greater overhang will be at the outside end of the bench.



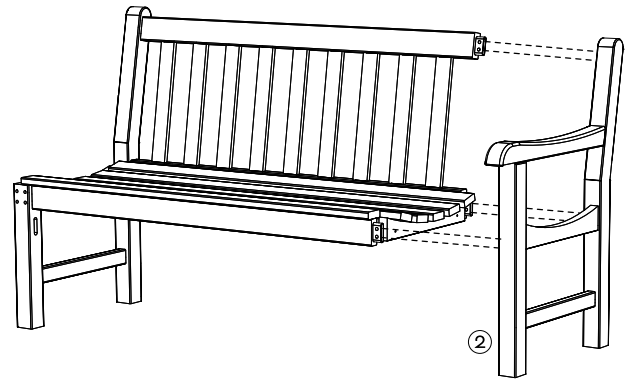
STEP 3

Place (left) front seat rail ⑥ into position as shown.



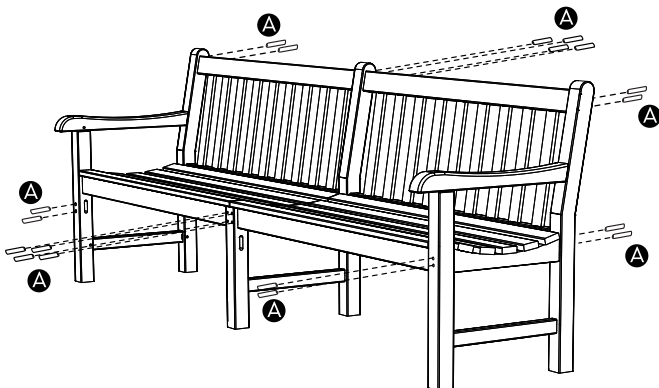
STEP 4

Place (left) arm assembly ② onto the rails of the back assembly and front rail.



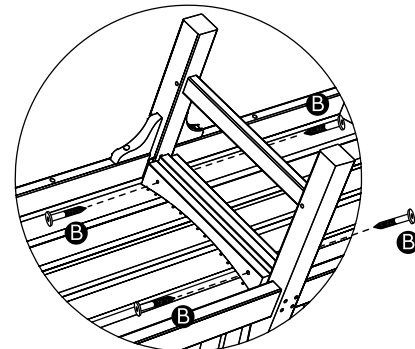
STEP 5

Repeat Steps 1-4 for the right side of the bench. Start with the back, followed by the right seat assembly, right front seat rail and right arm assembly. Next, drive 24 dowels A into place as shown.



STEP 6

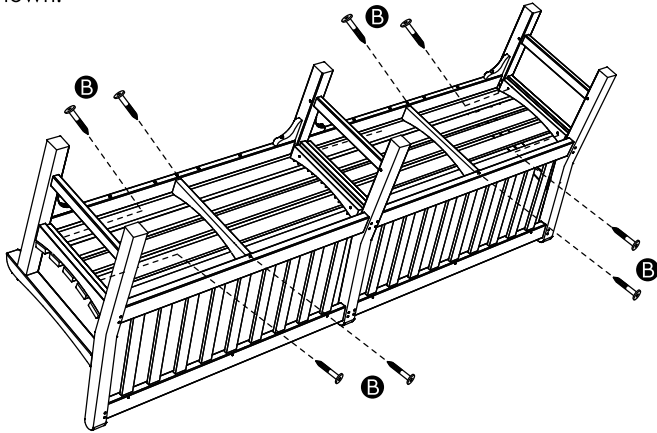
Using a phillips head screwdriver, screw 4 wood screws B into the predrilled holes on the underside of the seat to attach the seats to the center brace as shown.



INSTRUCTIONS

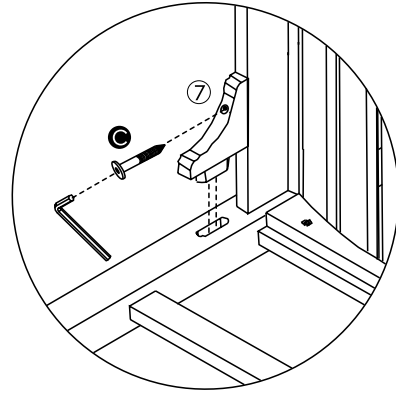
STEP 7

Using a phillips head screwdriver, screw 6 wood screws **B** into the predrilled holes on the underside of the seat to attach the seat back, front rail and arm assemblies as shown.



STEP 8

Secure corner brace **7** with the allen head screw **C** using the allen wrench provided.



STEP 9

To further secure the corner brace drive 2 dowels **A** into the predrilled holes as shown. Repeat for the remaining corner braces.

