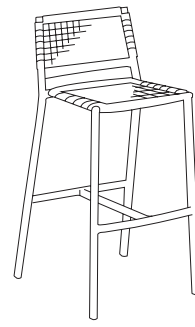


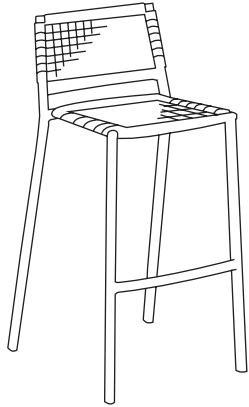
EILAND BAR CHAIR

ASSEMBLY INSTRUCTIONS

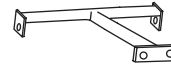


COMPONENTS

- ① Eiland Bar Chair - Seat & Leg Assembly
Quantity: 1



- ② Eiland Bar Stool - Stretcher

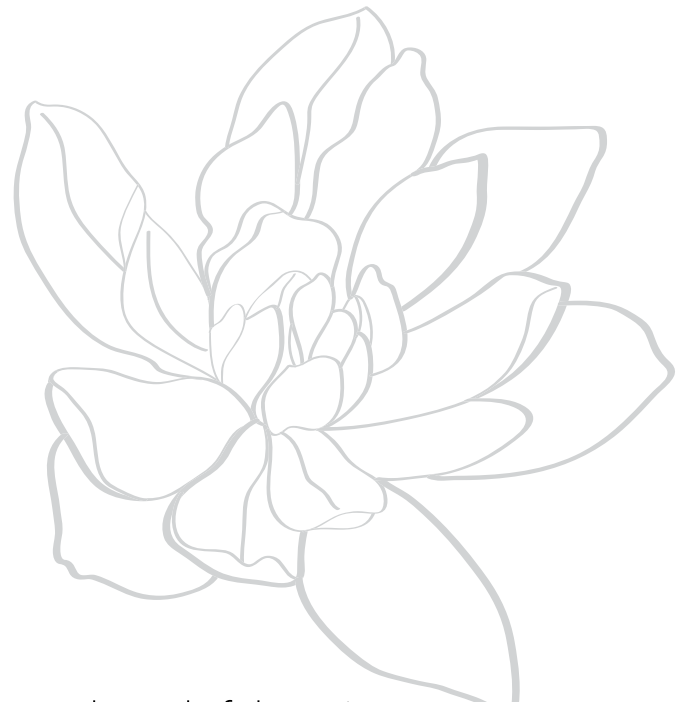
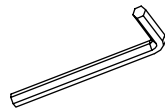


HARDWARE

- A Short Machine Bolt
Quantity: 4



- B Allen Wrench
Quantity: 1

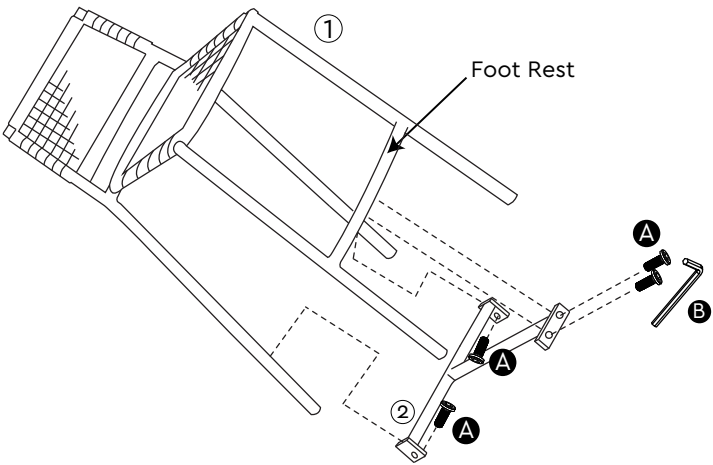


Thoughtful Design **MADE RIGHT**

INSTRUCTIONS

STEP 1

Insert the Stretcher ② as shown and secure with Allen Wrench using the bolts ① provided.



Step 1 Detail

