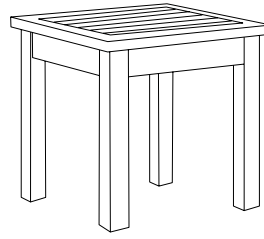


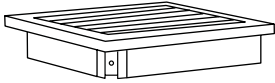
18" SQUARE END TABLE - CDETK

ASSEMBLY INSTRUCTIONS



COMPONENTS

- ① Table Top Assembly
Quantity: 1



- ② Corner Posts
Quantity: 4



HARDWARE

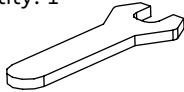
- A Metal Washers
Quantity: 4



- B Hex Nuts
Quantity: 4



- C Hex Head Wrench
Quantity: 1

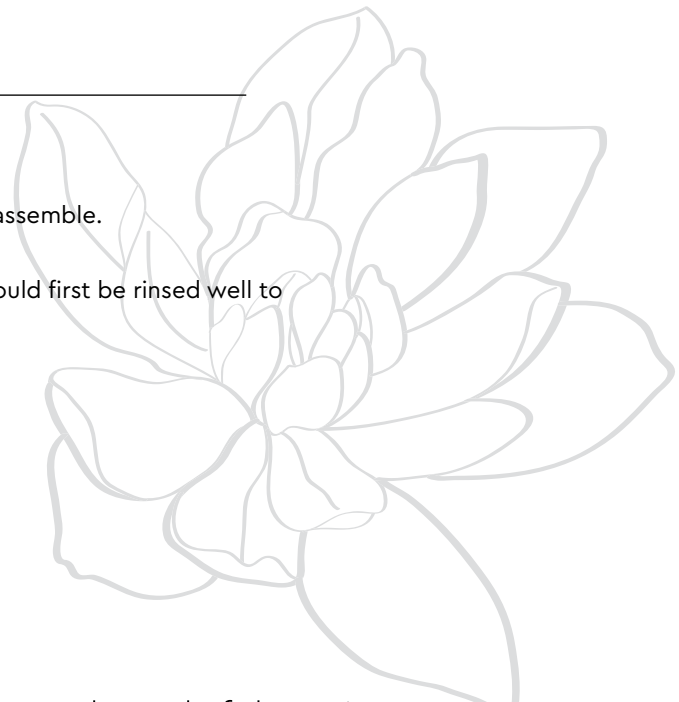


FINISHING ITEMS

Medium Grit Sandpaper.

NOTE: Hardware pack may contain more hardware than what is needed to assemble.

NOTE: If the furniture is going to be placed on a concrete or tile patio, it should first be rinsed well to remove the sawdust that may cause some staining.

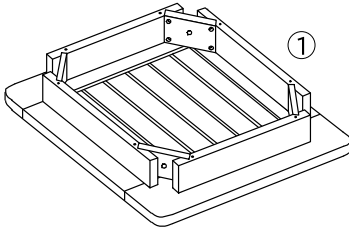


Thoughtful Design **MADE RIGHT**

INSTRUCTIONS

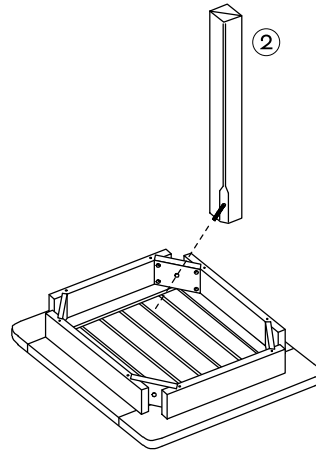
STEP 1

On a clean flat surface, lay table top upside down ①.



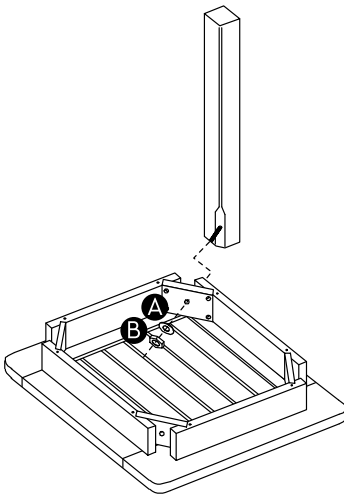
STEP 2

Insert the threaded rods on one corner post ② into holes located on one corner of Table Top.



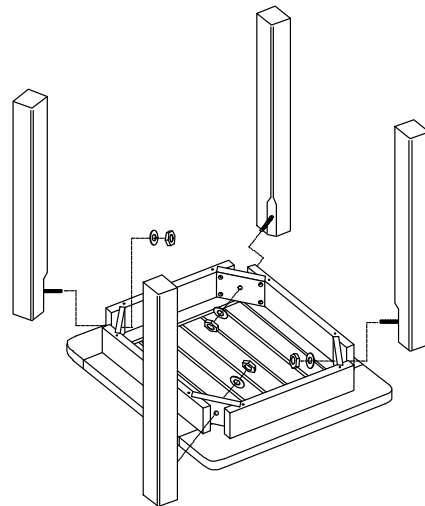
STEP 3

Secure Corner Post to the Table Top using Metal Washer **A** and Hex Nut **B**.



STEP 4

Repeat steps 2 and 3 for the remaining 3 Corner Posts.



STEP 5

Using a medium grit sandpaper, quickly sand off any marks or stains. Sand to smooth off areas around the dowel pins. Carefully turn the assembled End Table in an upright position and enjoy!

