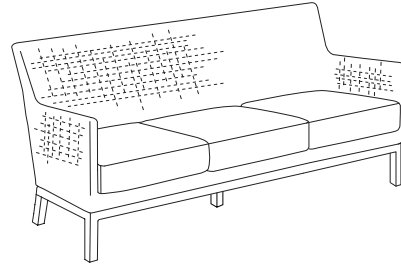


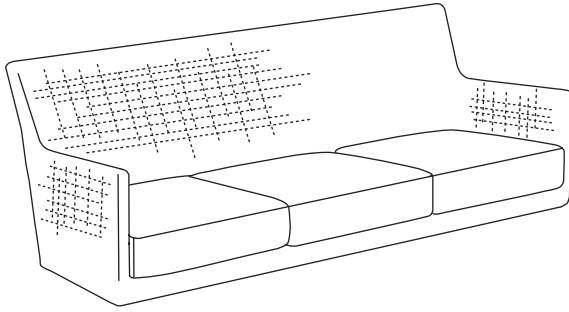
ARGENTO SOFA

ASSEMBLY INSTRUCTIONS

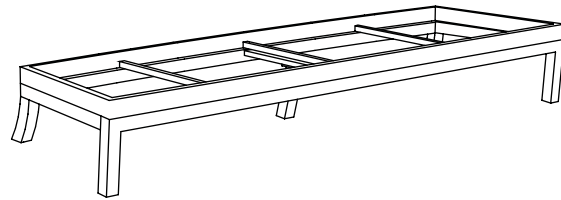


COMPONENTS

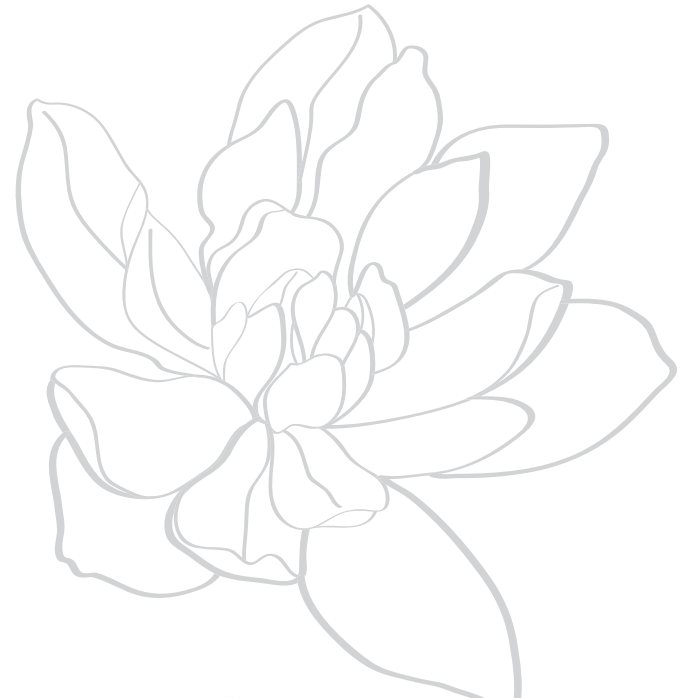
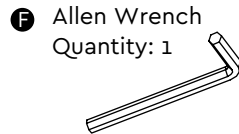
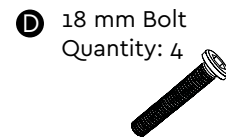
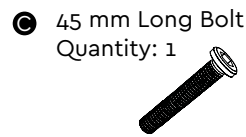
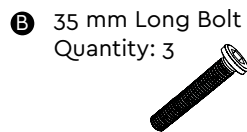
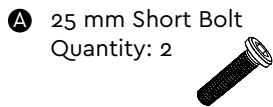
① Seat Assembly



② Leg Assembly



HARDWARE



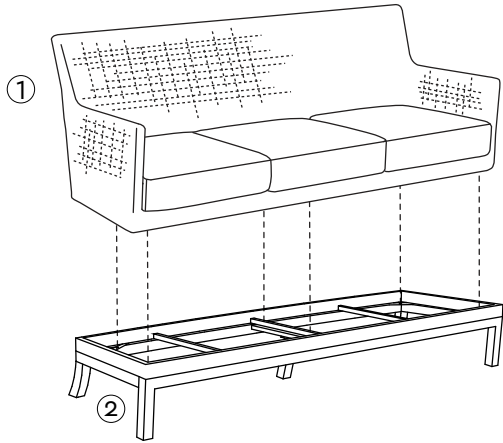
Thoughtful Design **MADE RIGHT**

# INSTRUCTIONS

## STEP 1

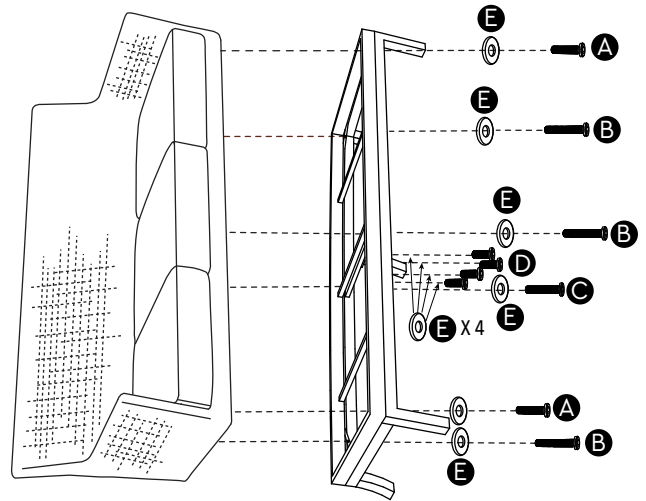
Line up Sofa Seat Assembly ① onto Leg Assembly ② to the pre drilled holes on the seat assembly as shown.

Note: Curved part of leg assembly lines up with the back of the chair.



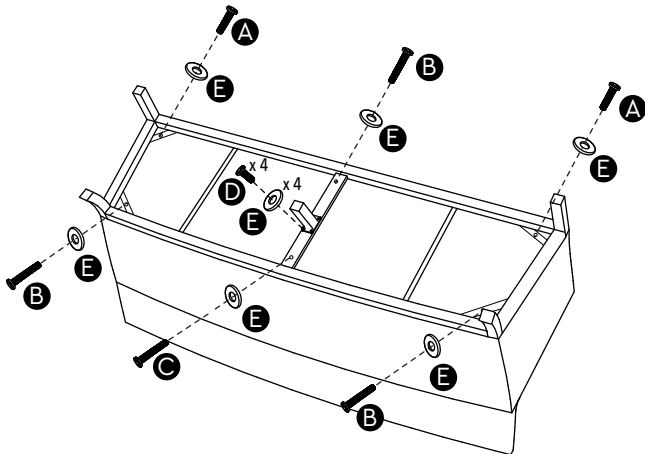
## STEP 2

Place washer E on bolts A, B, C, & D. Next, hand tighten bolts into the pre drilled holes as shown. Repeat for all bolts.



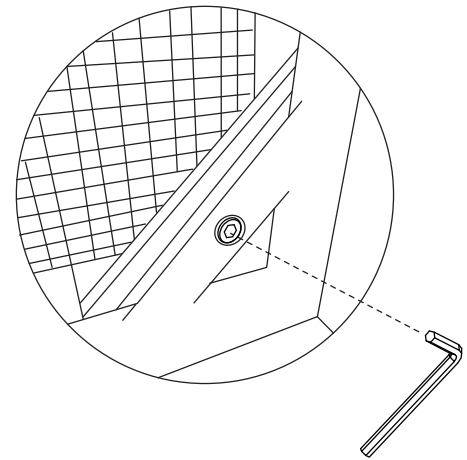
## Step 2 Detail

Alternate underside view



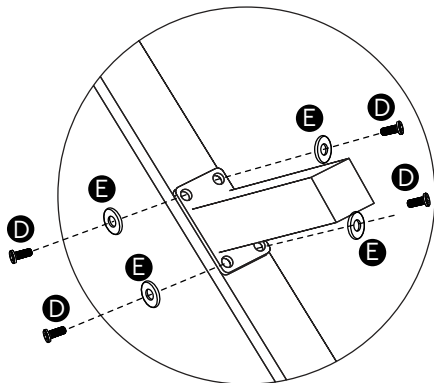
## Step 3

Tighten all four bolts with the allen wrench provided.



## Step 3 Detail

Underside view middle leg.



## STEP 4

Turn upright and enjoy!

