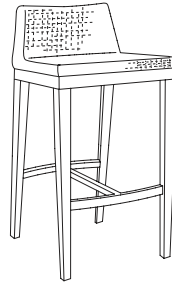
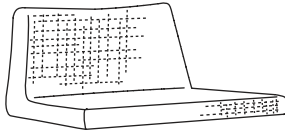


ARGENTO WOVEN BAR STOOL
ASSEMBLY INSTRUCTIONS

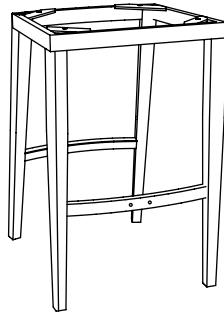


COMPONENTS

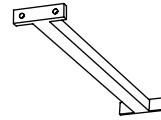
- ① Seat Assembly
Quantity: 1



- ② Leg Assembly



- ③ Stretcher



HARDWARE

- A Short Machine Bolt
Quantity: 4



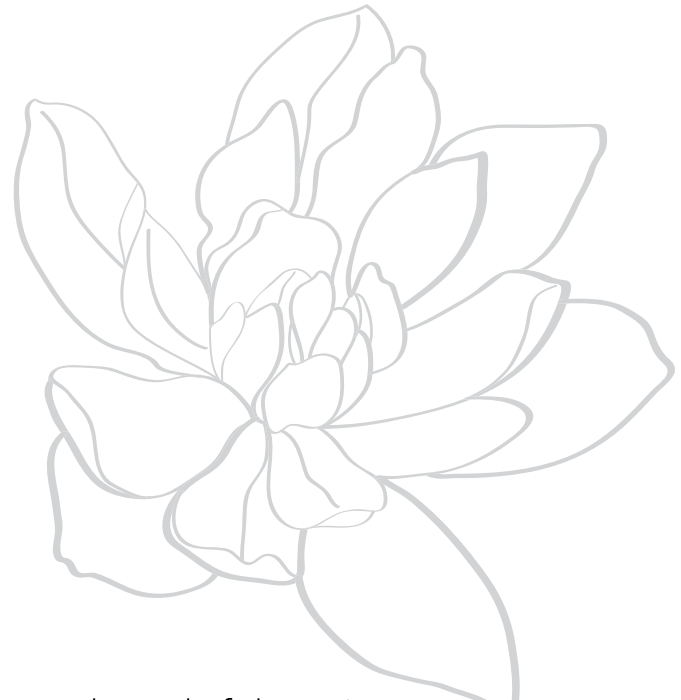
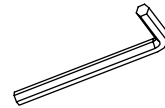
- B 18 mm Bolt
Quantity: 4



- C Washer
Quantity: 4



- D Allen Wrench
Quantity: 1



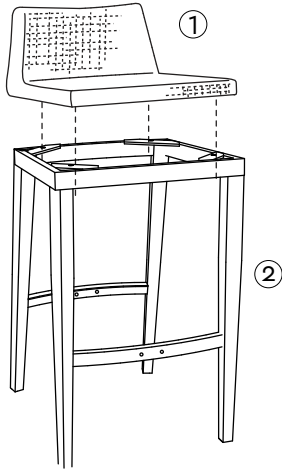
Thoughtful Design **MADE RIGHT**

INSTRUCTIONS

STEP 1

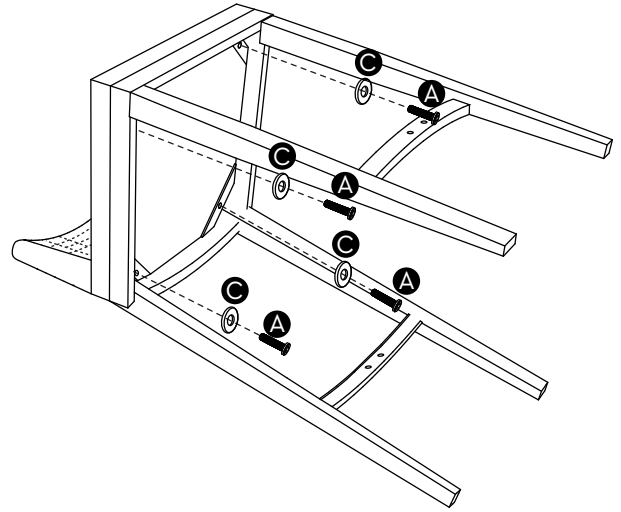
Line up Bar Stool Seat Assembly ① onto Leg Assembly ② to the pre drilled holes on the seat assembly as shown.

Note: Curved part of leg assembly lines up with the back of the chair.



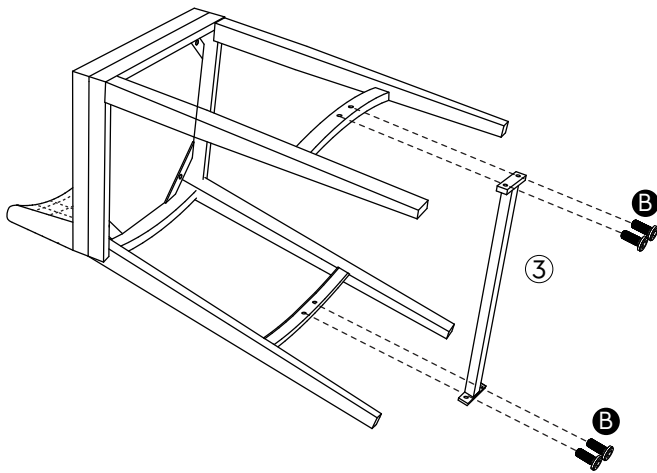
STEP 2

Place washer C on bolt A. Next, hand tighten bolts into the pre drilled holes in the corner. Repeat for all corners.

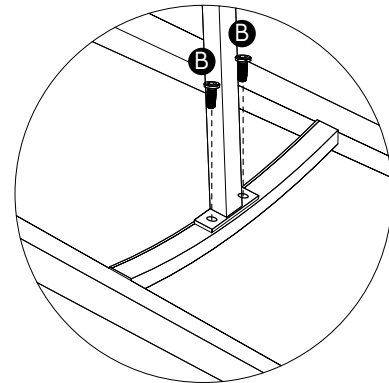


STEP 3

Next, insert the Stretcher ③ as shown and secure using the 18 mm bolts B provided.

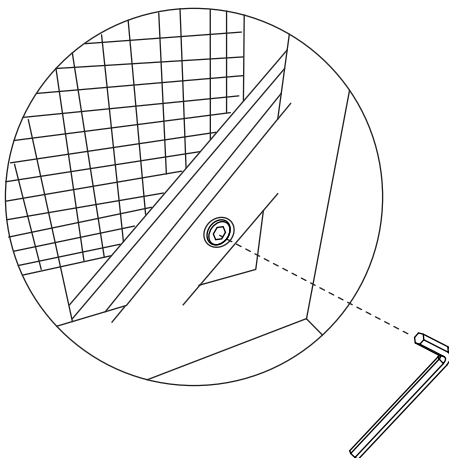


Step 3 Detail



STEP 4

Tighten all four bolts with the allen wrench provided



STEP 5

Turn upright and enjoy

