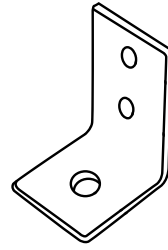
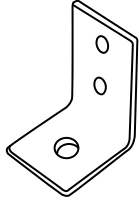


ANCHOR BRACKET INSTRUCTIONS
ASSEMBLY INSTRUCTIONS



COMPONENTS

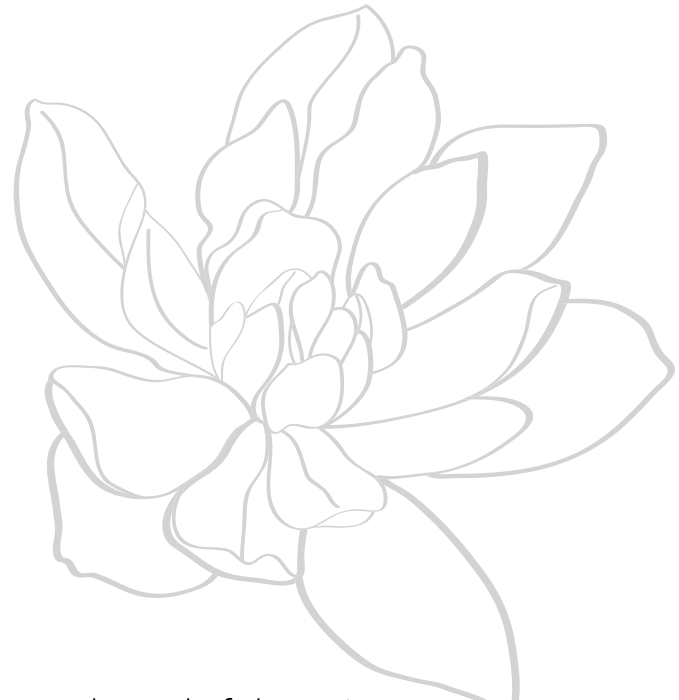
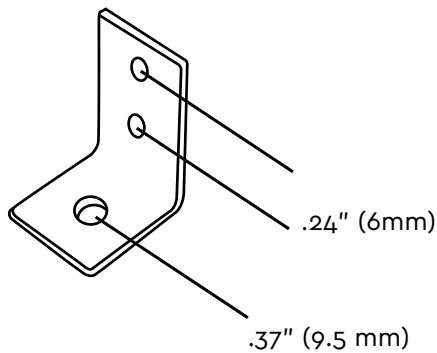
- ① Anchor Bracket
Quantity: 4



HARDWARE

- A Stainless Steel Screws
Quantity: 8

- B Anchor Bolts
(Not Included)

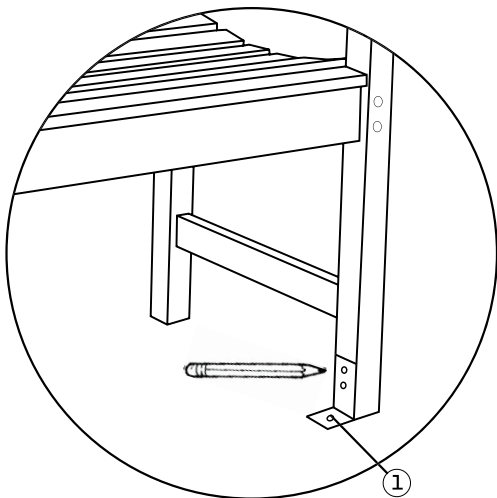


Thoughtful Design **MADE RIGHT**

INSTRUCTIONS

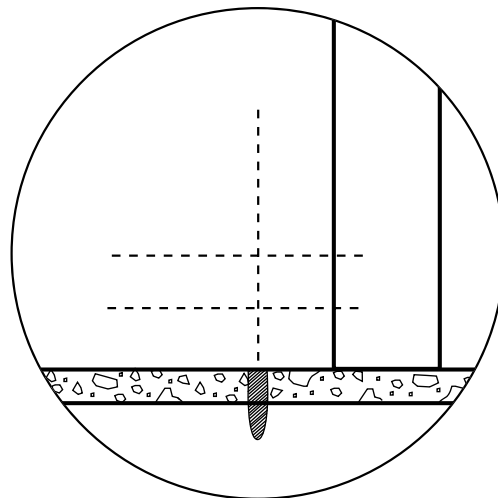
STEP 1

Position bench with brackets in place. Mark position of brackets. Mark hole placement on concrete pad bench legs.



STEP 2

Drill concrete pad. Drill legs.



STEP 3

Screw brackets to leg. Bolt brackets to pad.

