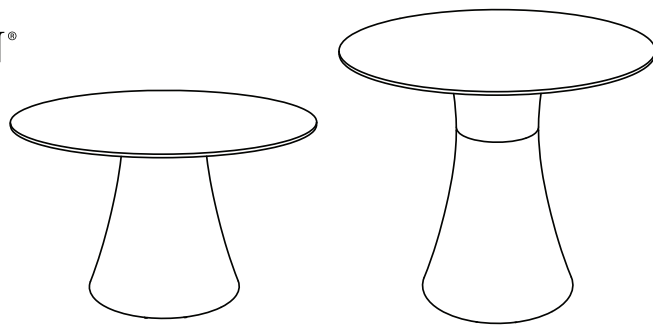
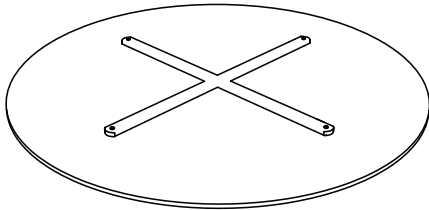


TULLE 48" ROUND DINING & BAR TABLE  
ASSEMBLY INSTRUCTIONS



**COMPONENTS**

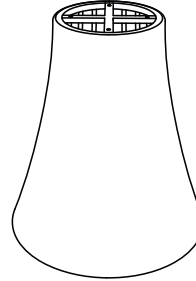
① Table Top Assembly  
Quantity: 1



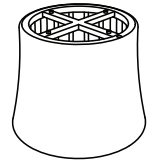
② Small X-frame  
Quantity: 1



③ Wicker Base  
Quantity: 1



④ Wicker Base Extender  
(Used for Bar Table assembly only)  
Quantity: 1



**HARDWARE**

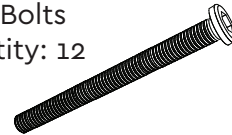
A Washers  
Quantity: 12



B Short Bolts  
Quantity: 12



C Long Bolts  
Quantity: 12

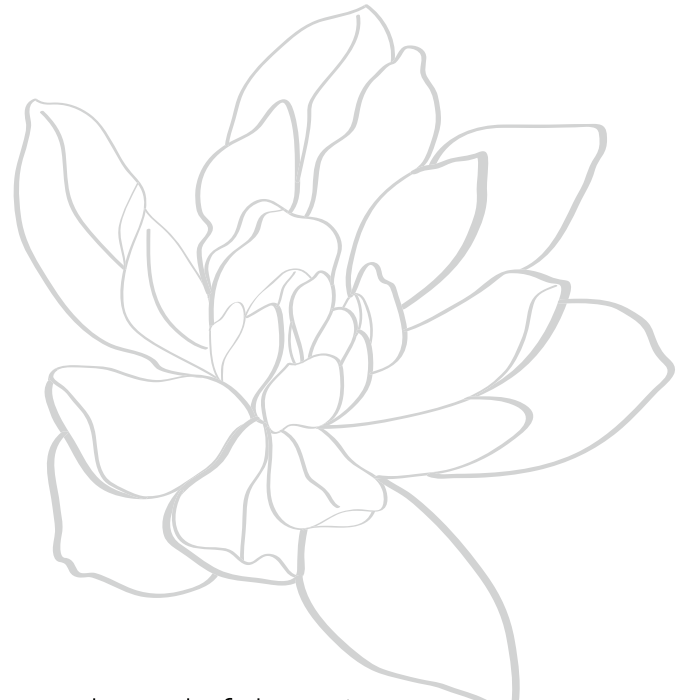


NOTE: Hardware pack may contain more hardware than what is needed to assemble.

NOTE: HPL and Teak Table Tops have the same assembly. Images may not accurately represent the table top being assembled.

**FINISHING ITEMS**

Medium Grit Sandpaper (For use on Teak table tops only).

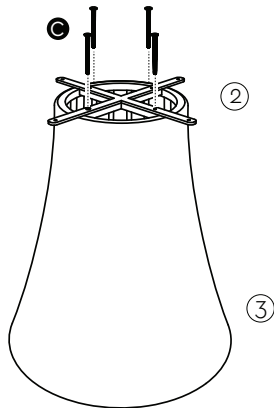


Thoughtful Design **MADE RIGHT**

## INSTRUCTIONS

### STEP 1 (Dining Table ONLY)

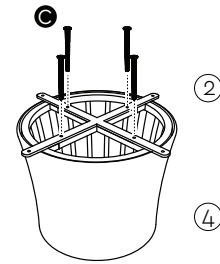
Attach Small X-frame ② to Wicker Base ③ using 4 long bolts ④. Proceed to **STEP 4**.



(Dining Table)

### STEP 2 (Bar Table ONLY)

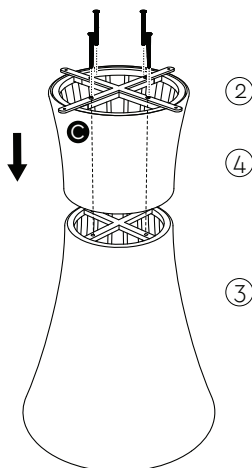
Thread 4 long bolts ④ through Small X-frame ② into Wicker Base Extender ④.



(Bar Table)

### STEP 3 (Bar Table ONLY)

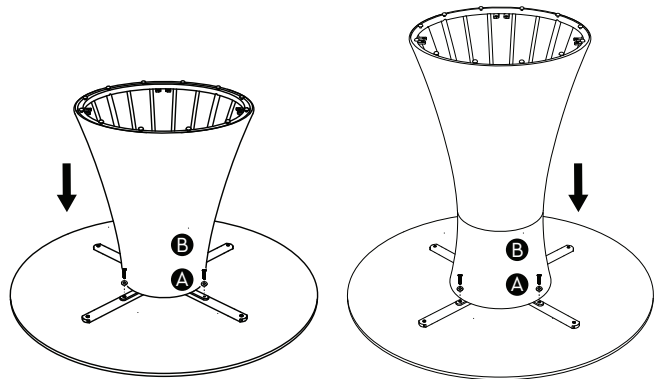
Secure Small X-frame ② and Wicker Base Extender ④ to the Wicker Base ③ using 4 long bolts ④.



(Bar Table)

### STEP 4

Place Table Top ① upside down on a clean surface and attach Wicker Base sub-assembly to top using 4 washers ① and 4 short bolts ②.

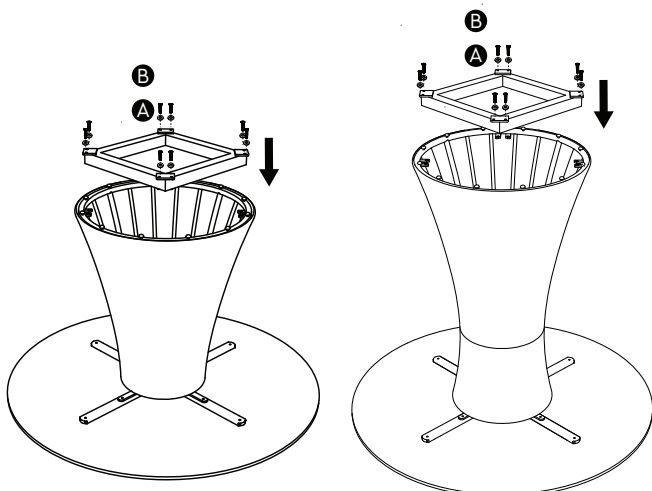


(Dining Table)

(Bar Table)

### STEP 5

Attach Weighted Frame ⑤ to table base using 8 short bolts ② and 8 washers ①.

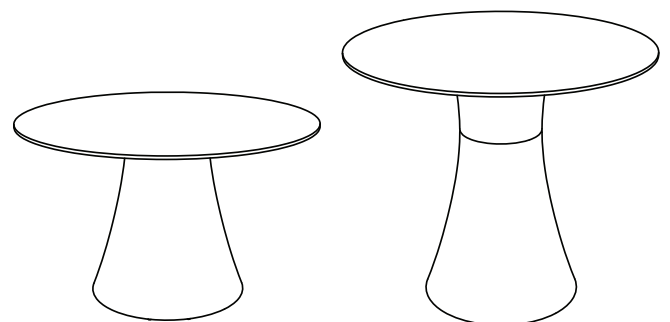


(Dining Table)

(Bar Table)

### STEP 6

Carefully turn the assembled table in an upright position. Enjoy!



(Dining Table)

(Bar Table)